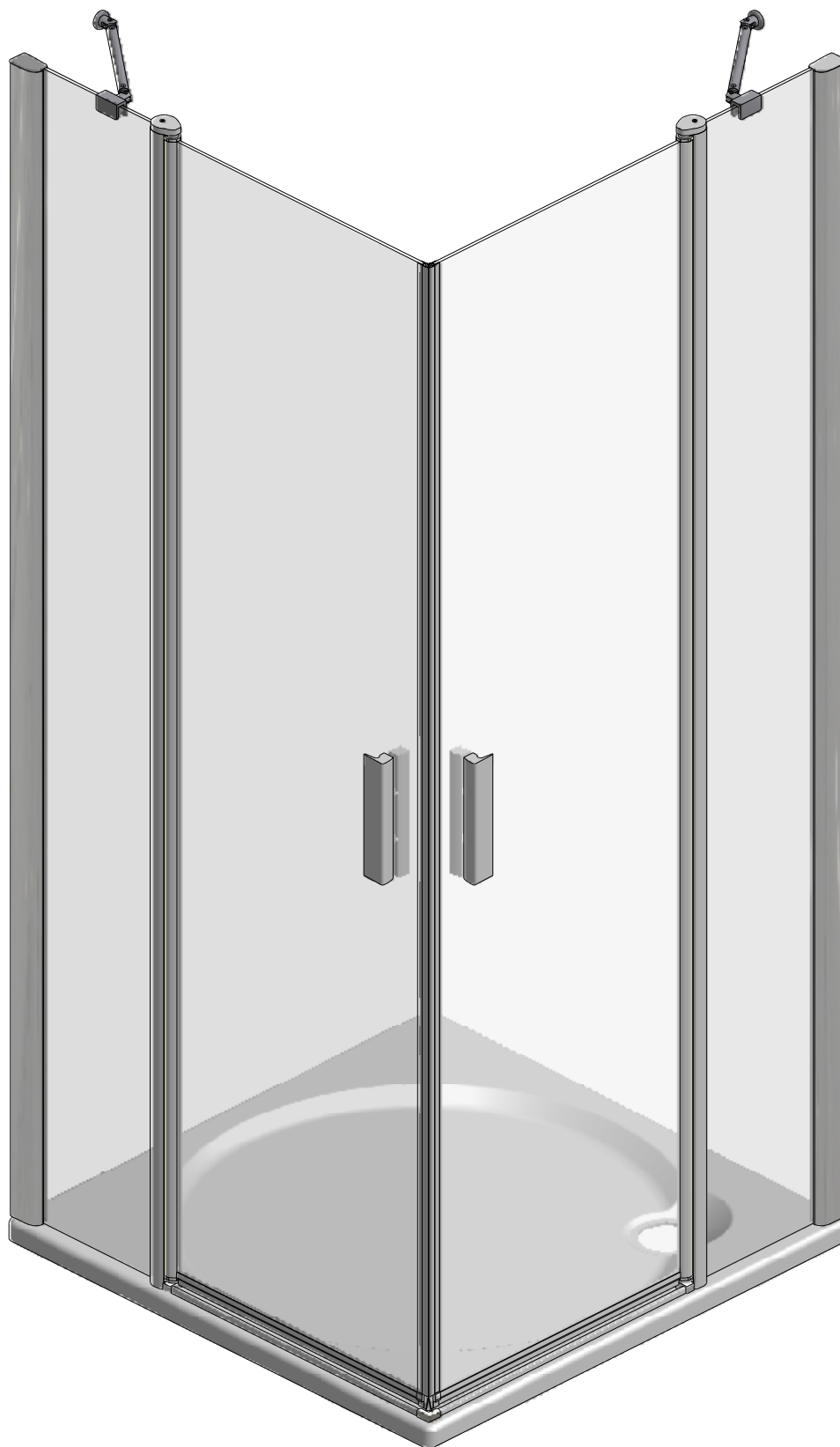
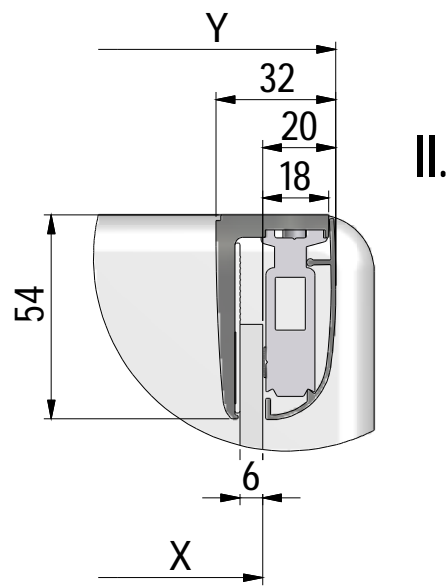
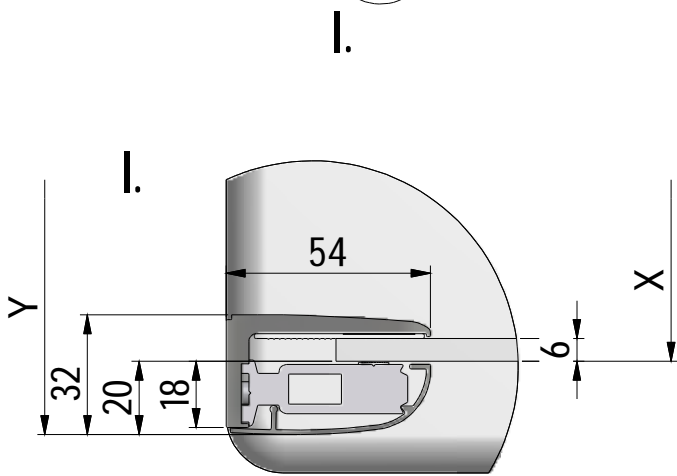
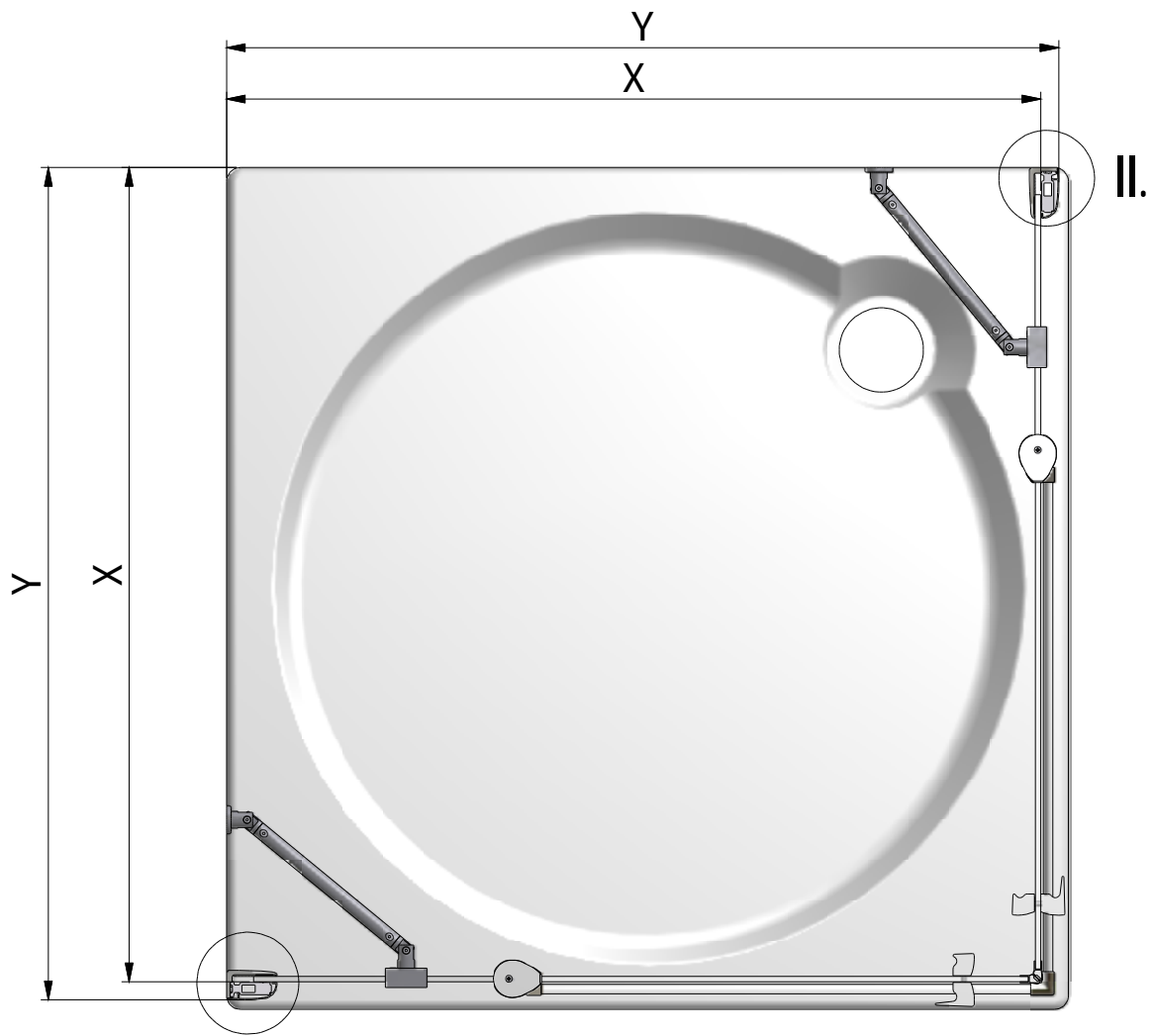


# TDO1+TDO1





| TD01+<br>TD01 | X (mm) |     | Y (mm) |     |
|---------------|--------|-----|--------|-----|
|               | MIN    | MAX | MIN    | MAX |
| 800           | 755    | 770 | 775    | 790 |
| 900           | 855    | 870 | 875    | 890 |
| 1000          | 955    | 970 | 975    | 990 |

1. 1x  
V11



2. 1x  
V12



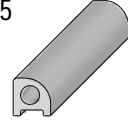
3. 1x



4. 1x  
P32



5. 1x  
P35



6. 4x  
M0511  
n6



7. 4x  
M0811  
3,9x38



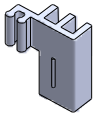
8. 4x  
M5974



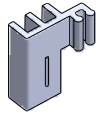
9. 4x  
M5975



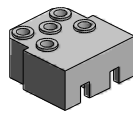
10. 4x  
M5924



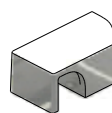
11. 4x  
M5925



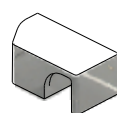
12. 1x  
M8833



13. 1x  
M8835



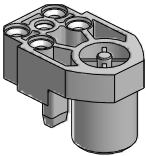
14. 1x  
M8834



15. 2x  
M0797  
3,5x45



16. 1x  
M0547



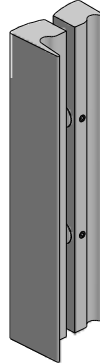
17. 2x  
M0793  
3,5x25



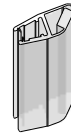
18. 1x  
M1916



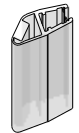
19. 1x  
P3010



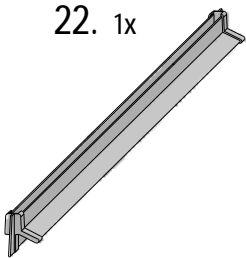
20. 1x  
M4174



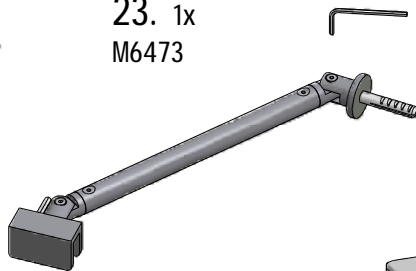
21. 1x  
M4175



22. 1x



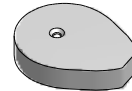
23. 1x  
M6473



26. 1x  
M5927



27. 1x  
M1896



24. 1x  
M6606



25. 1x  
M5926



28. 1x  
M0800  
3,5x45



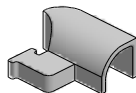
5x M0511



1x M0838



1x M8915



1x M8921



1x M8312



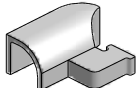
5x M0811  
3,9x38



4x M0806  
3,5x9,5



1x M8914



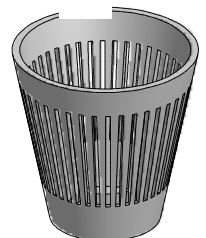
1x M0808  
3,5x9,5

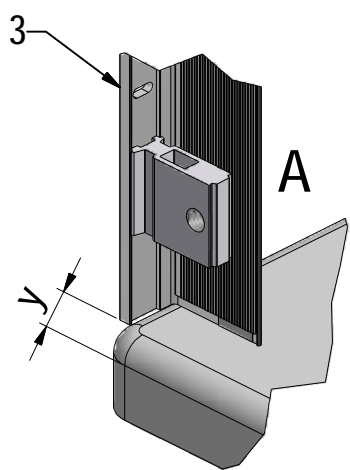
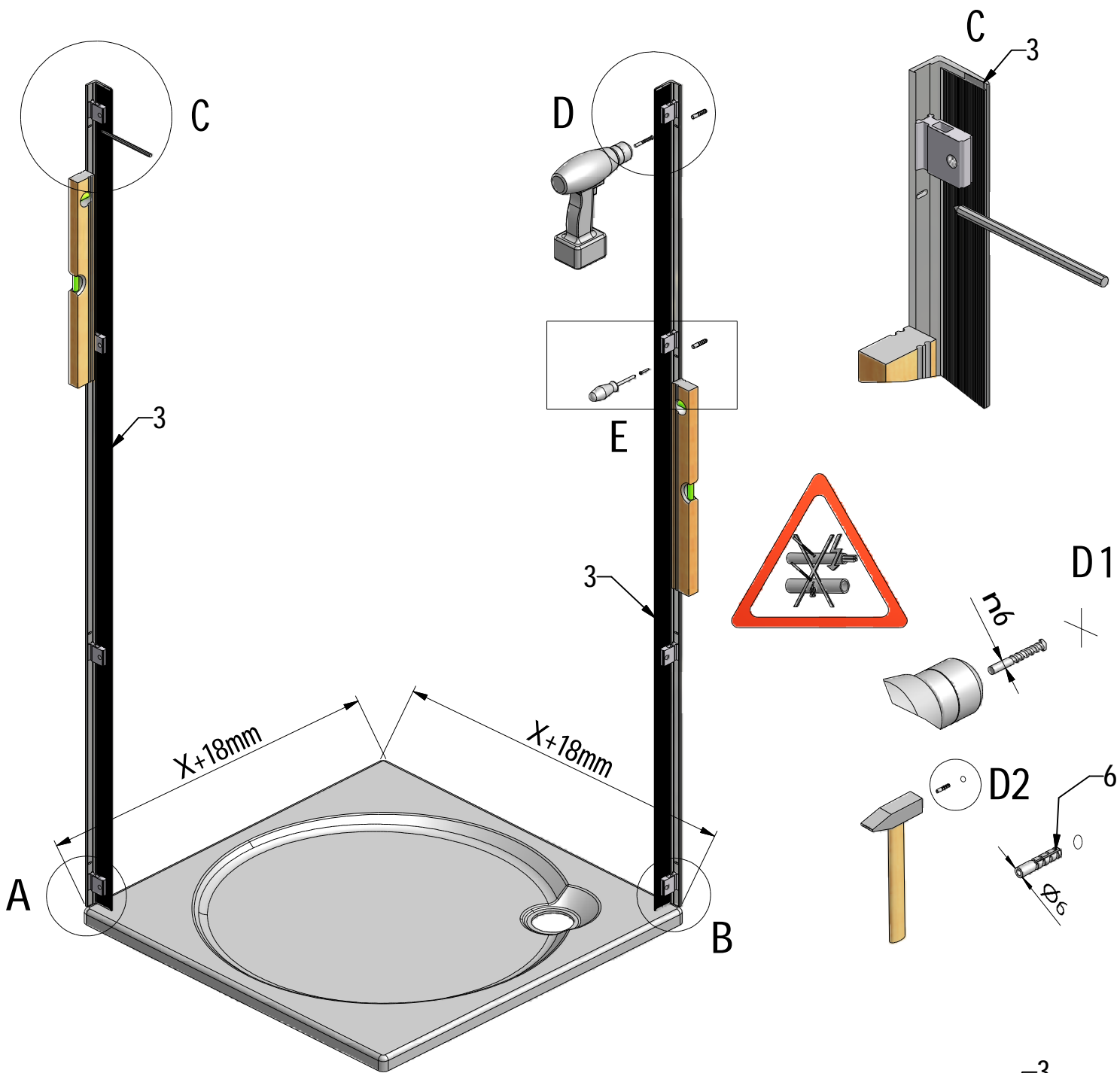


1x M0750

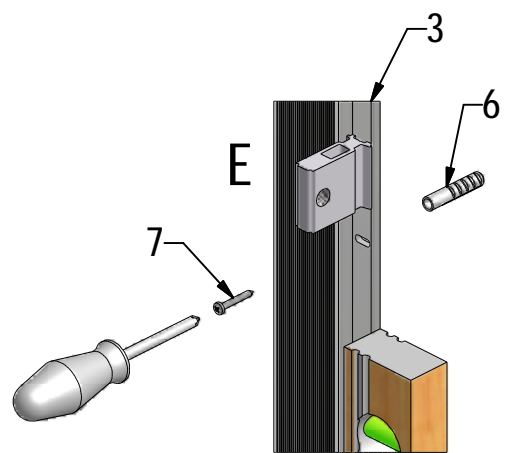
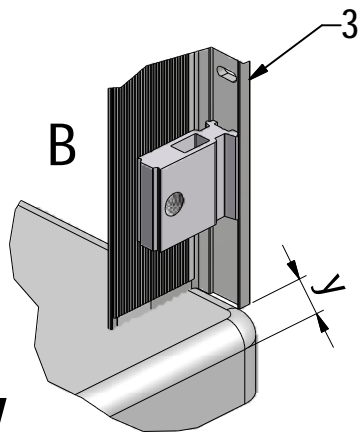


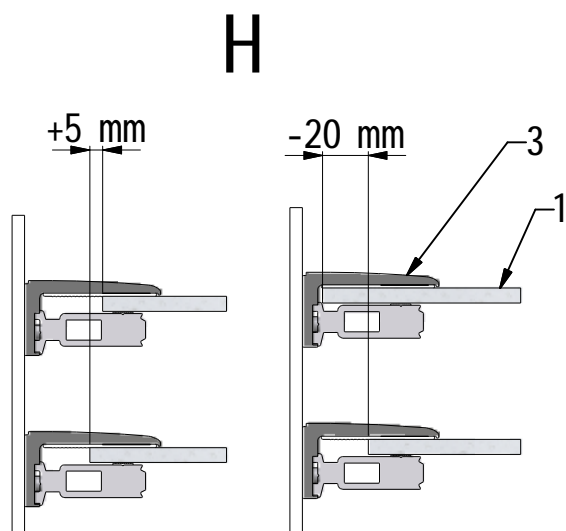
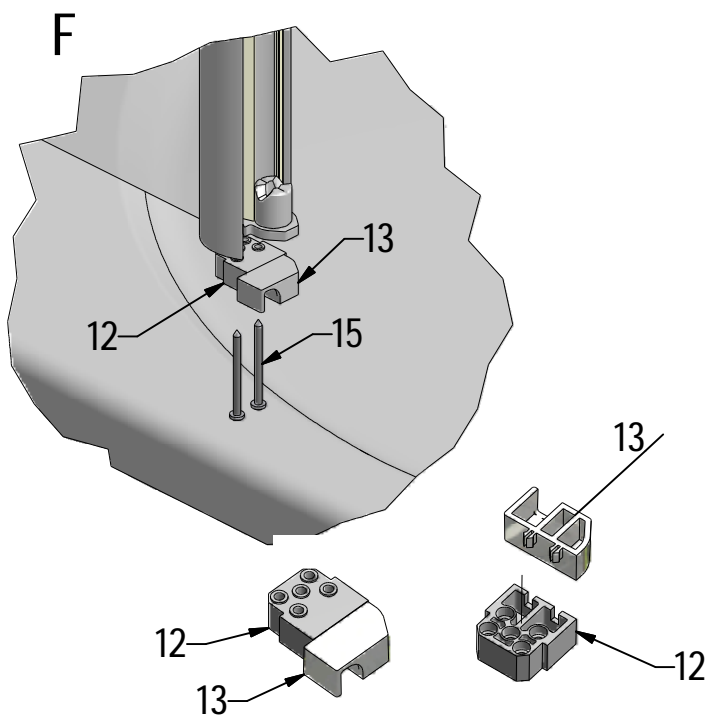
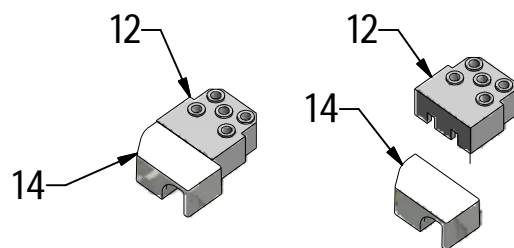
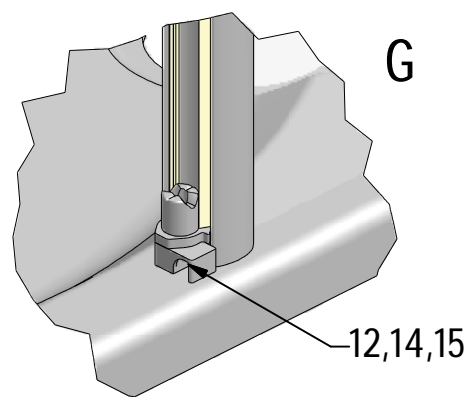
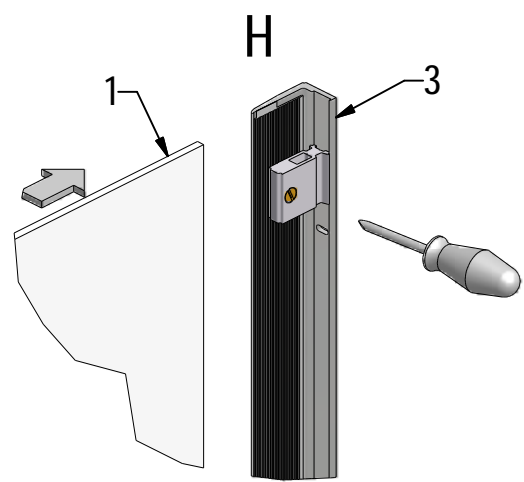
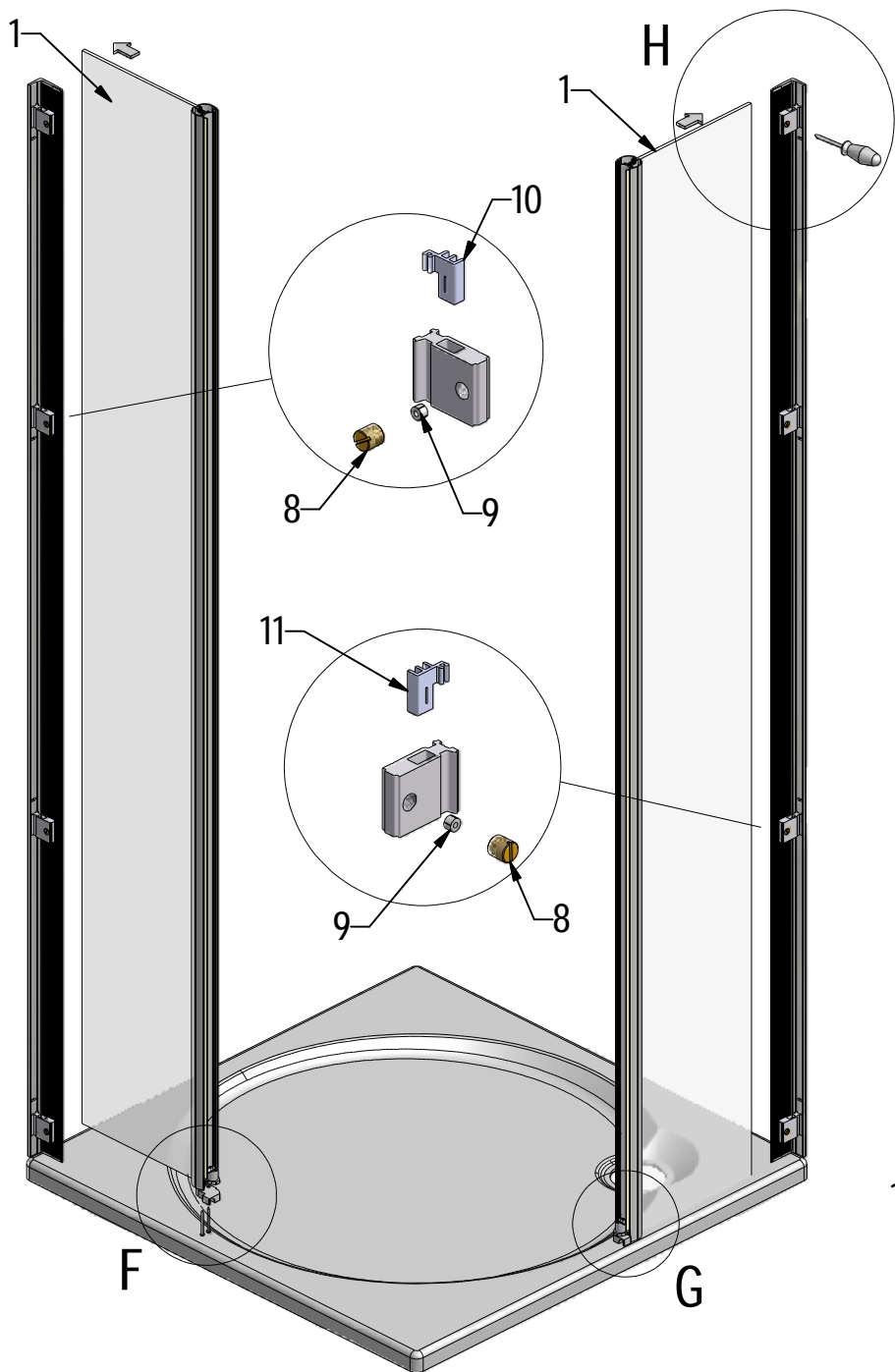
4x M1907

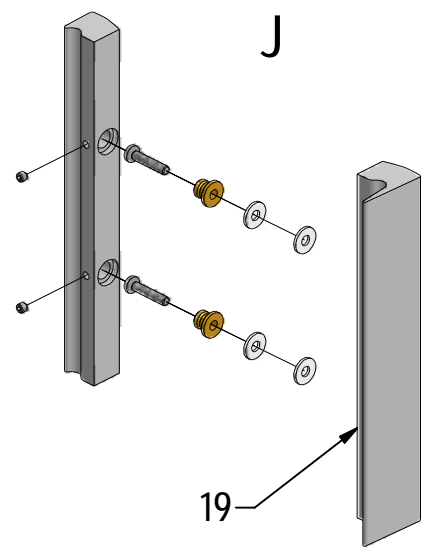
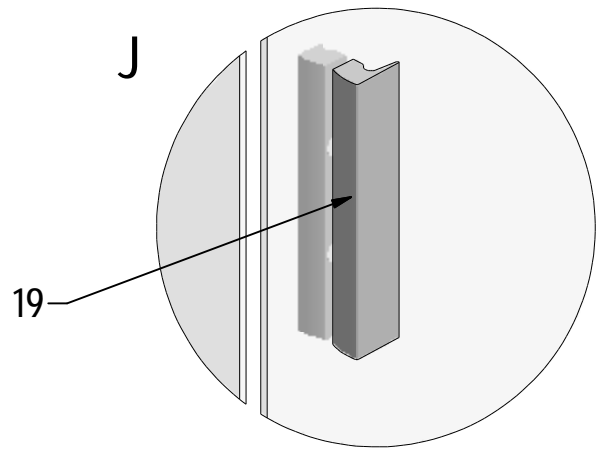
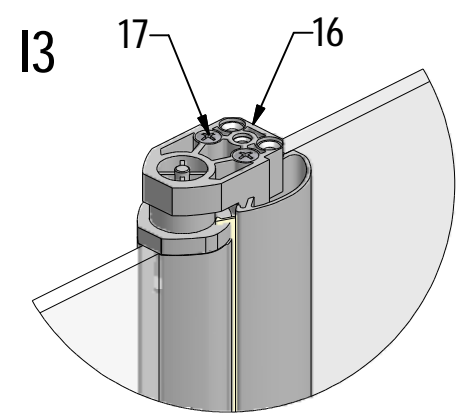
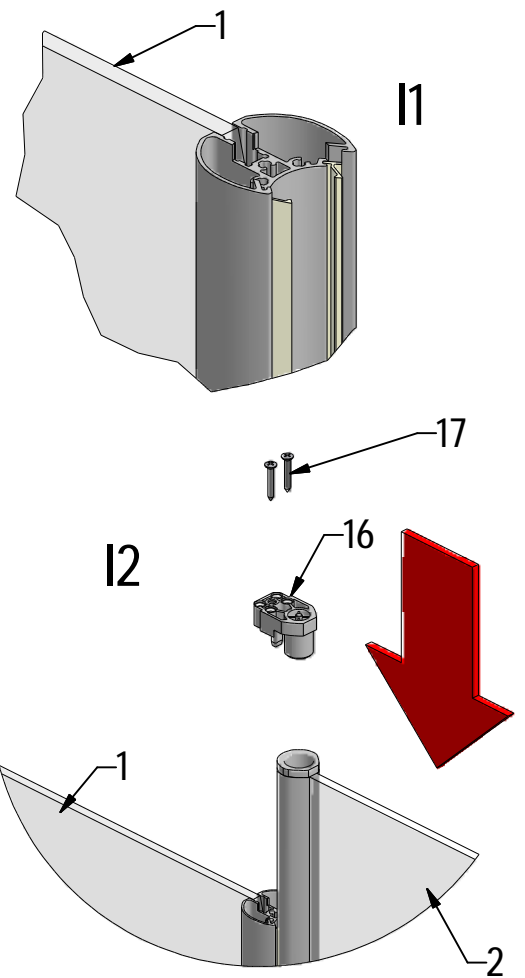
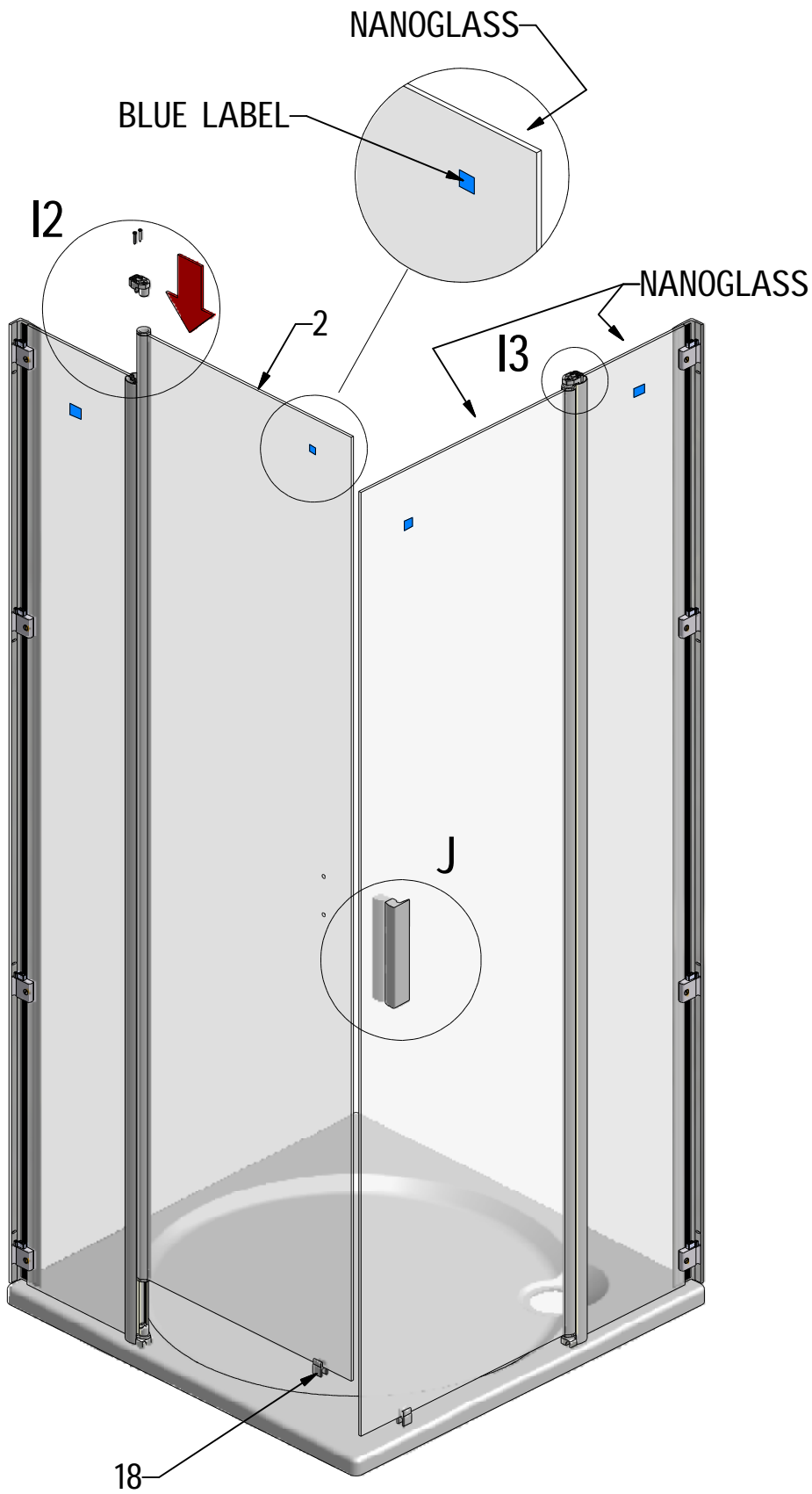


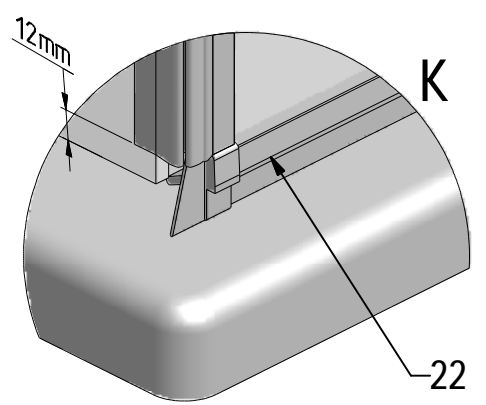
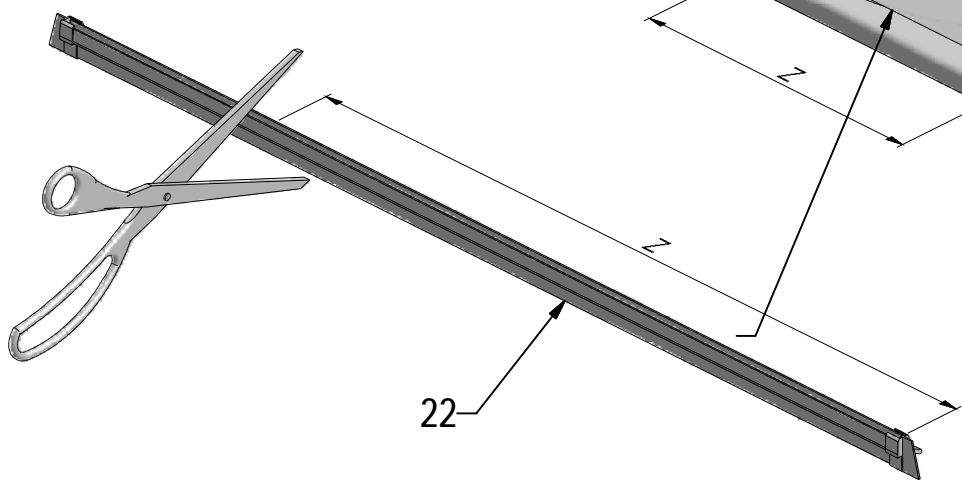
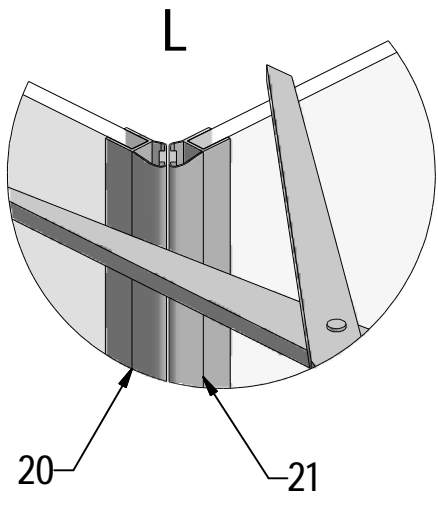


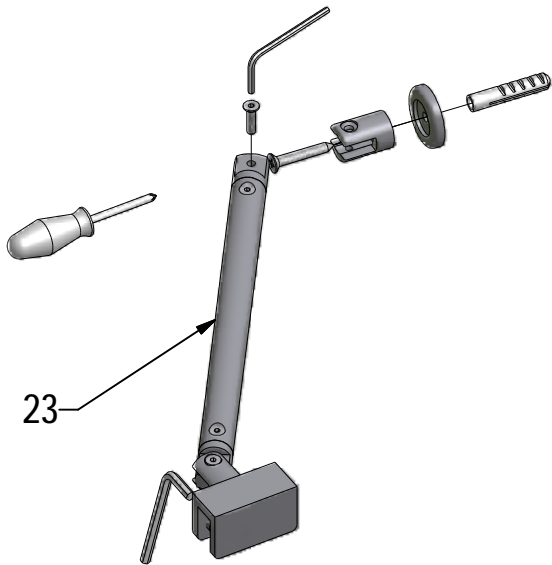
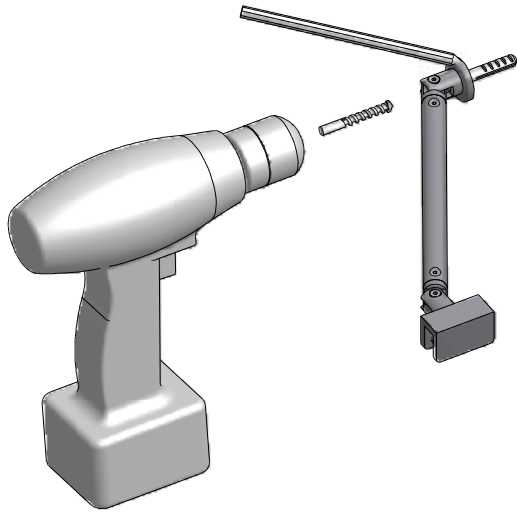
$y=y$



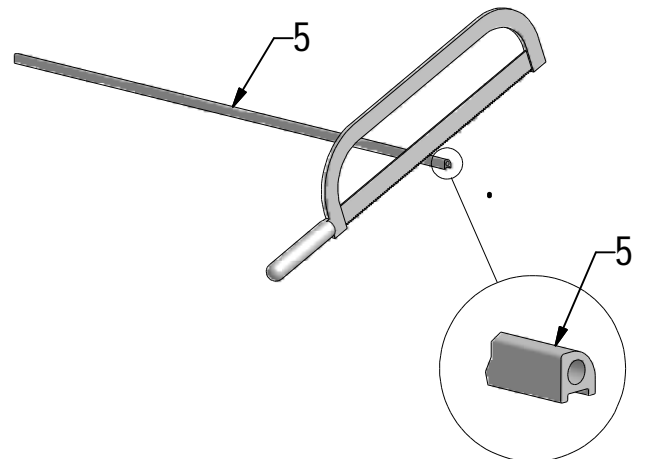
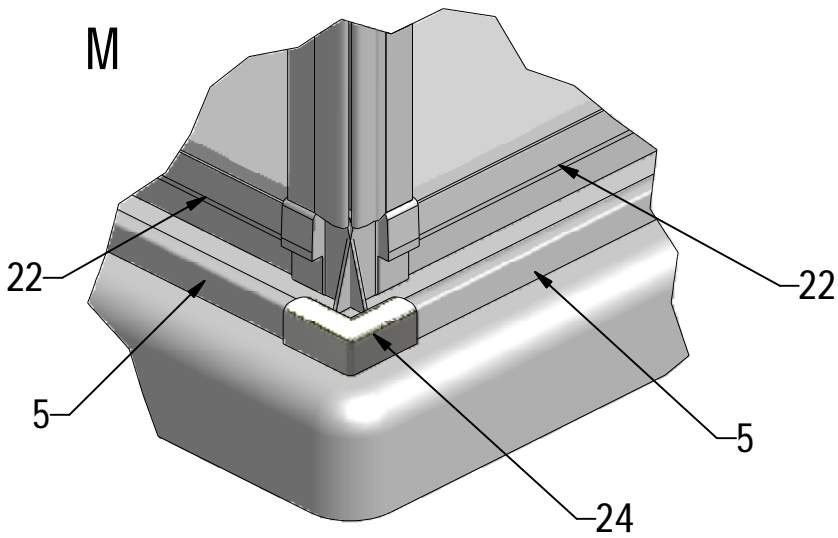




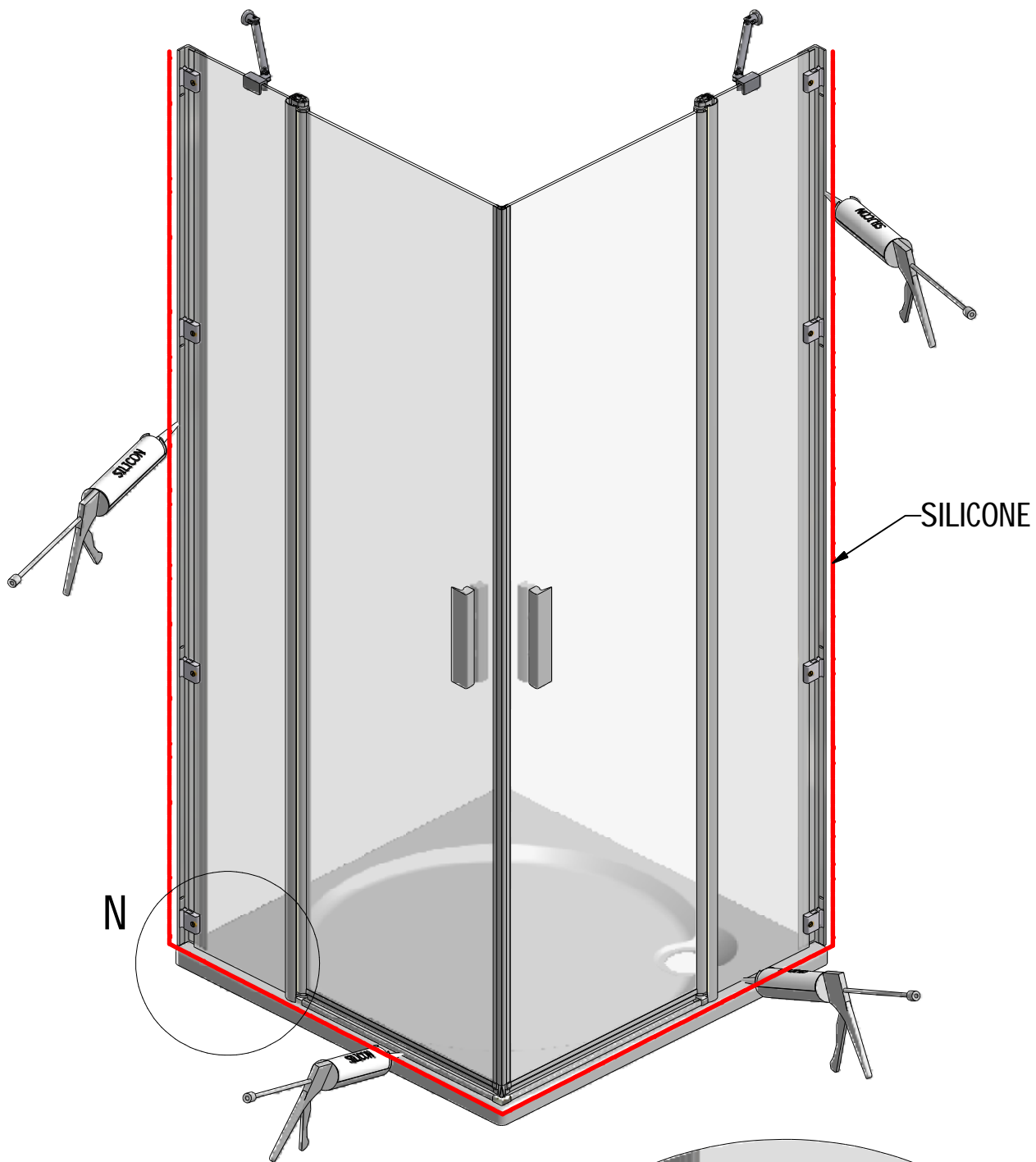




M

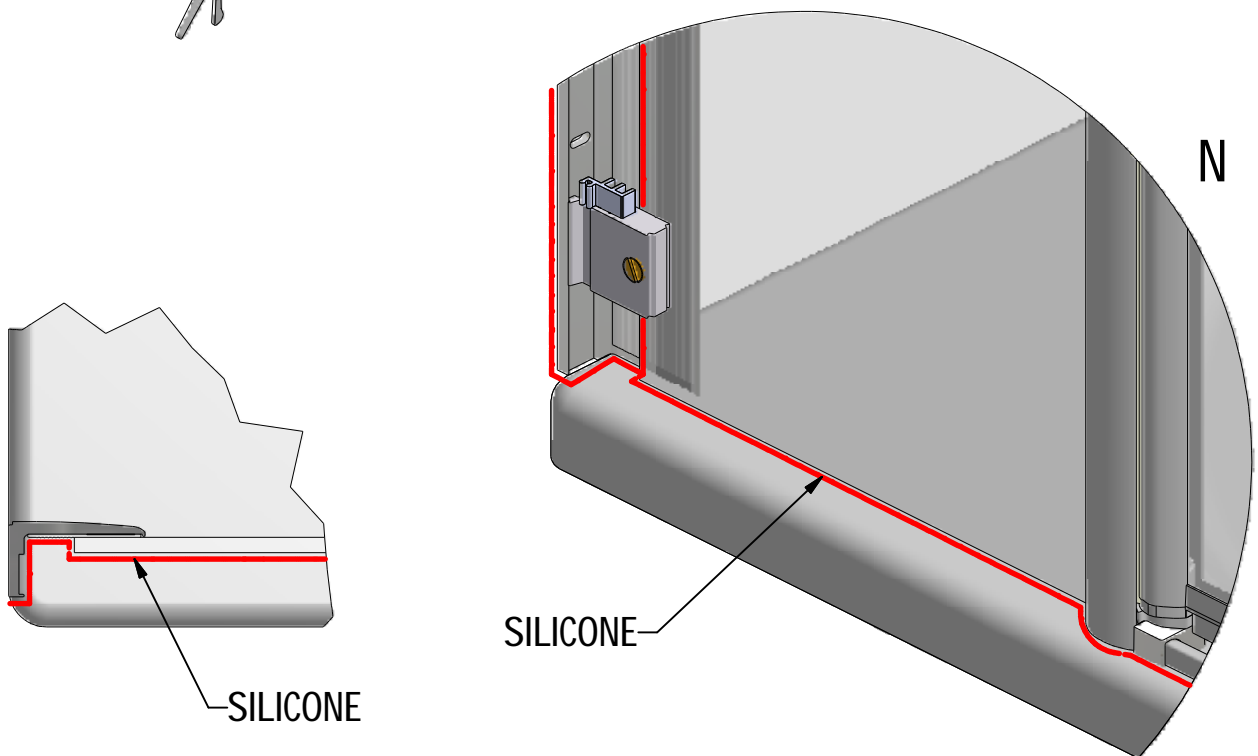






N

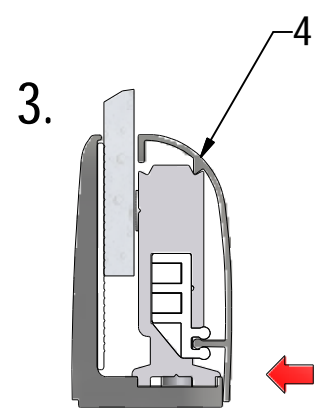
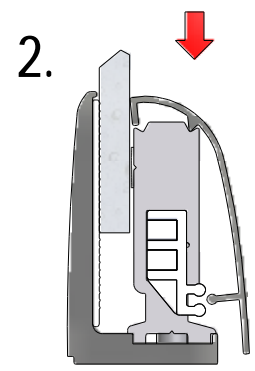
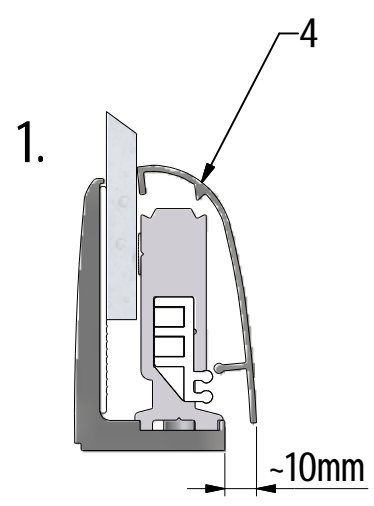
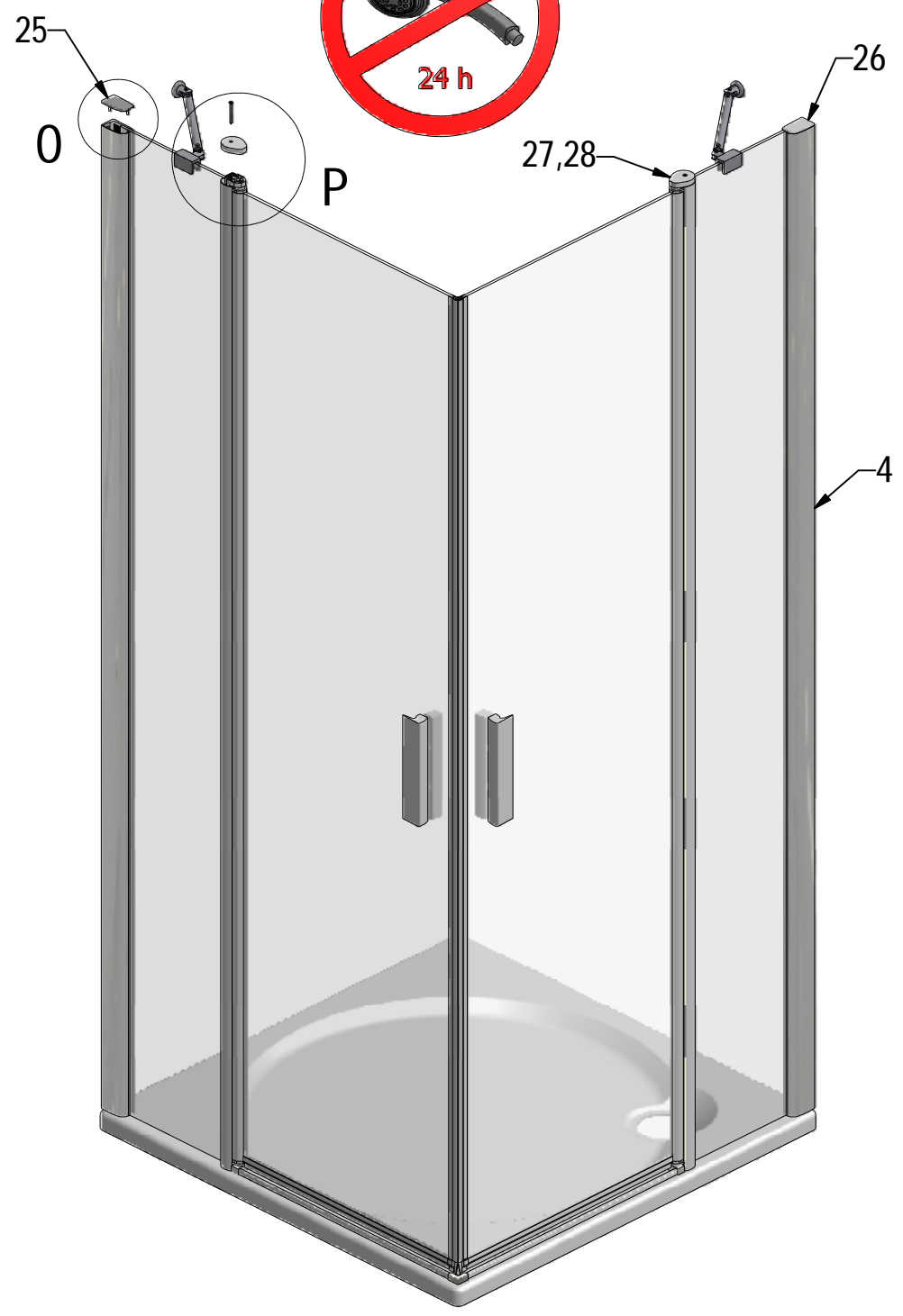
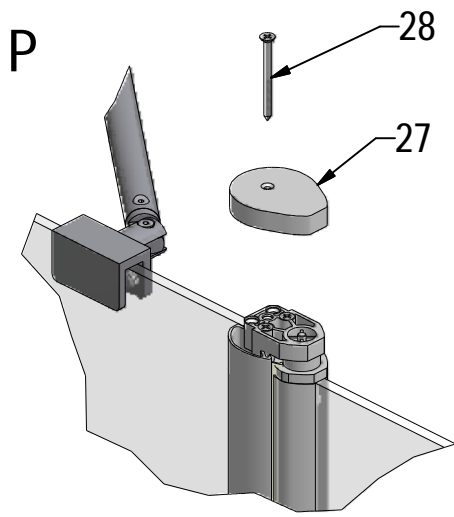
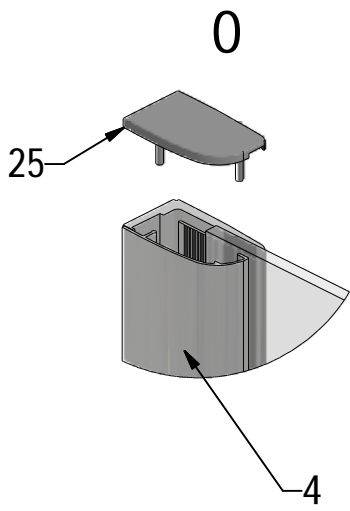
SILICONE



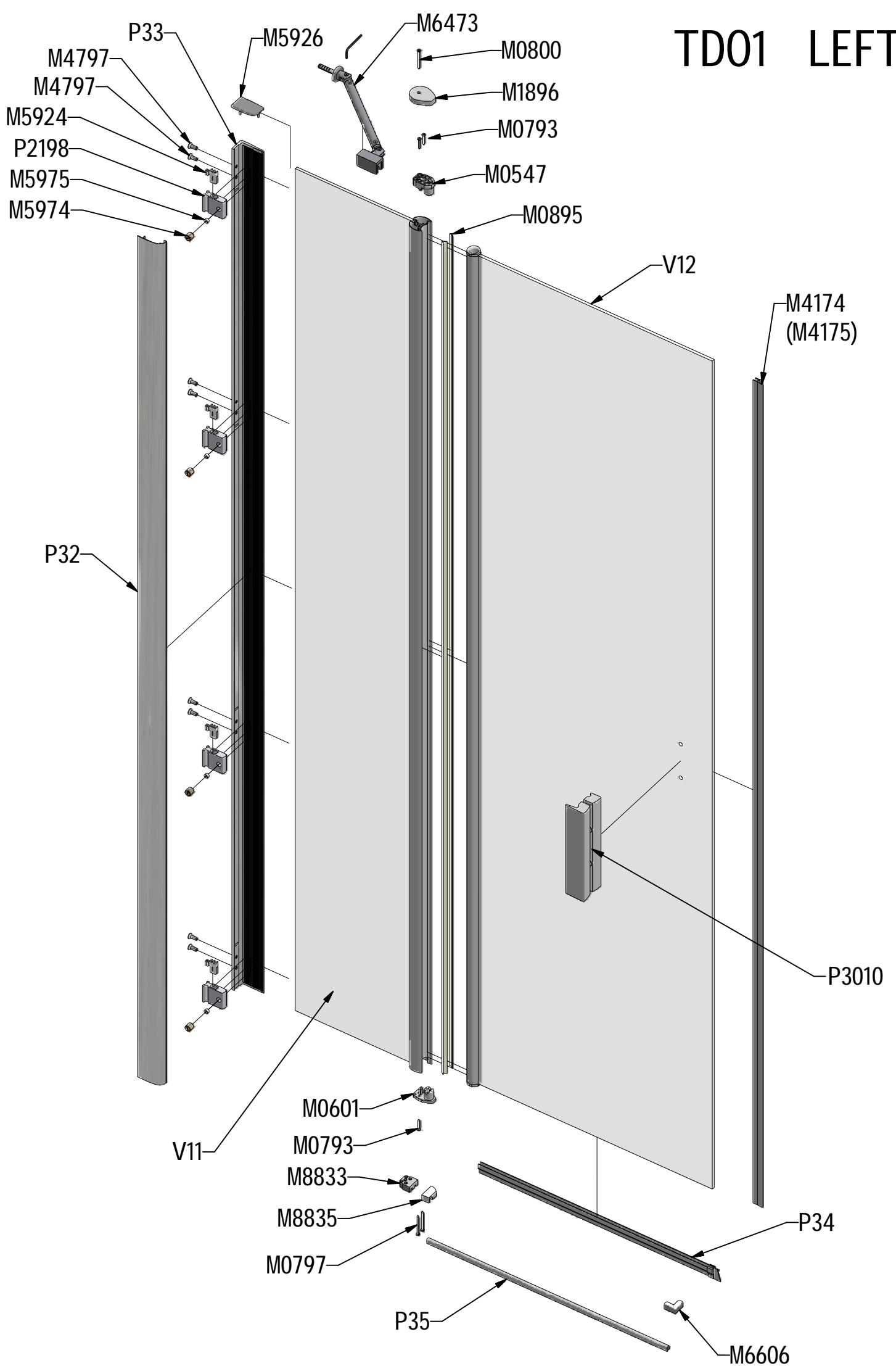
N

SILICONE

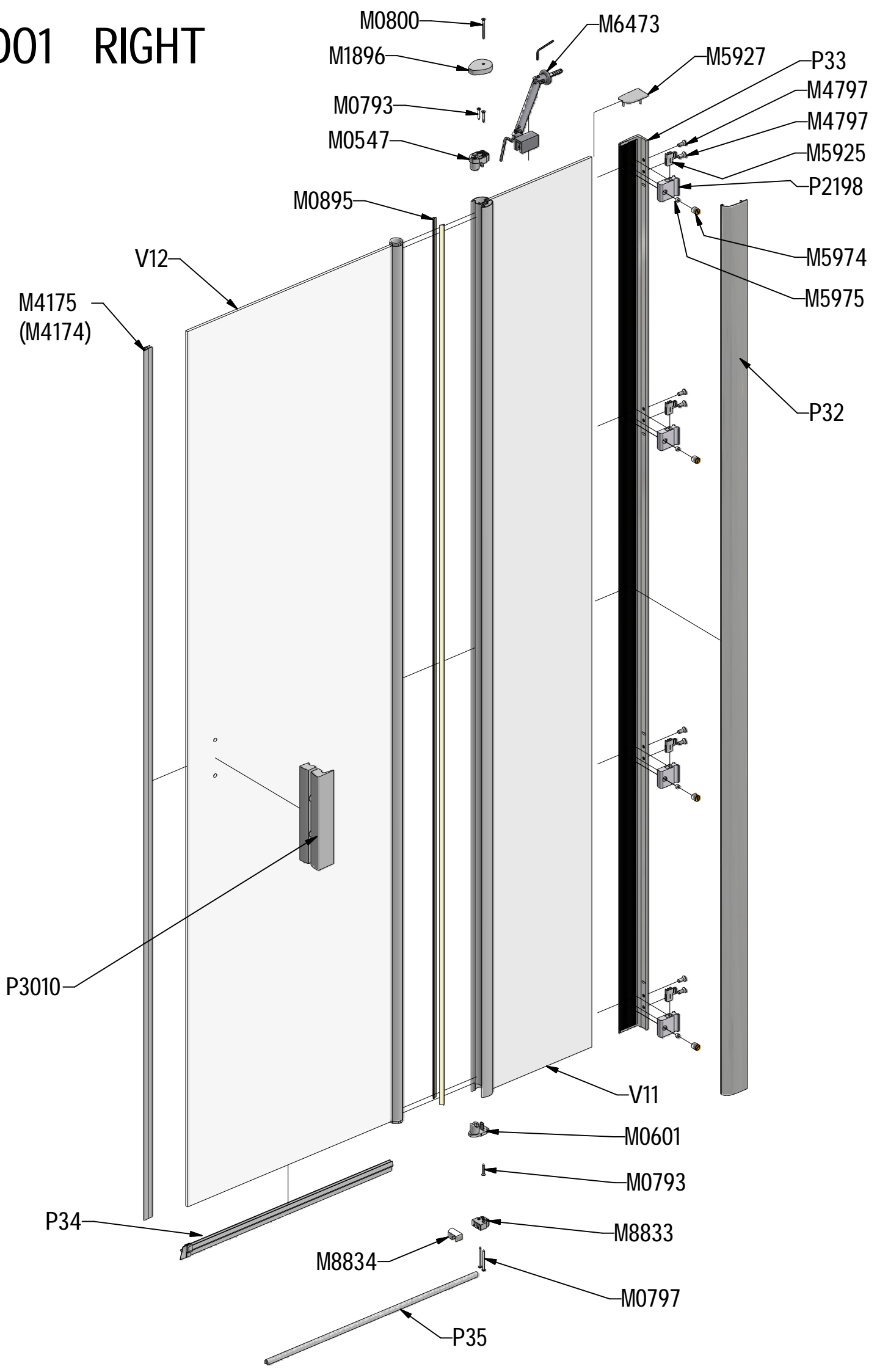
SILICONE



# TD01 LEFT



# TD01 RIGHT



|     |      |          |  |              |
|-----|------|----------|--|--------------|
| P32 |      | brillant |  | P2197        |
|     |      | elox     |  | P2205        |
| P33 |      | brillant |  | ND01-0973-00 |
|     |      | elox     |  | ND01-0973-01 |
| P34 |      |          |  | ND01-2420    |
| P35 | 800  |          |  | ND01-2227-8  |
|     | 900  |          |  | ND01-2227-9  |
|     | 1000 |          |  | ND01-2227-1  |

|     |              |                      |                    |                 |
|-----|--------------|----------------------|--------------------|-----------------|
| V11 | 800;900;1000 | brillant+clear glass | brillant+čiré sklo | ND03-0198-00-02 |
|     |              | elox+clear glass     | elox+čiré sklo     | ND03-0198-01-02 |
| V12 | 800          | brillant+clear glass | brillant+čiré sklo | ND02-0505-00-02 |
|     |              | elox+clear glass     | elox+čiré sklo     | ND02-0505-01-02 |
|     | 900          | brillant+clear glass | brillant+čiré sklo | ND02-0506-00-02 |
|     |              | elox+clear glass     | elox+čiré sklo     | ND02-0506-01-02 |
|     | 1000         | brillant+clear glass | brillant+čiré sklo | ND02-0507-00-02 |
|     |              | elox+clear glass     | elox+čiré sklo     | ND02-0507-01-02 |







**ROLTECHNIK a.s. / Třebov 160 / 569 33,  
CZECH REPUBLIC**

**10**

**EN 14428:2008+A1**