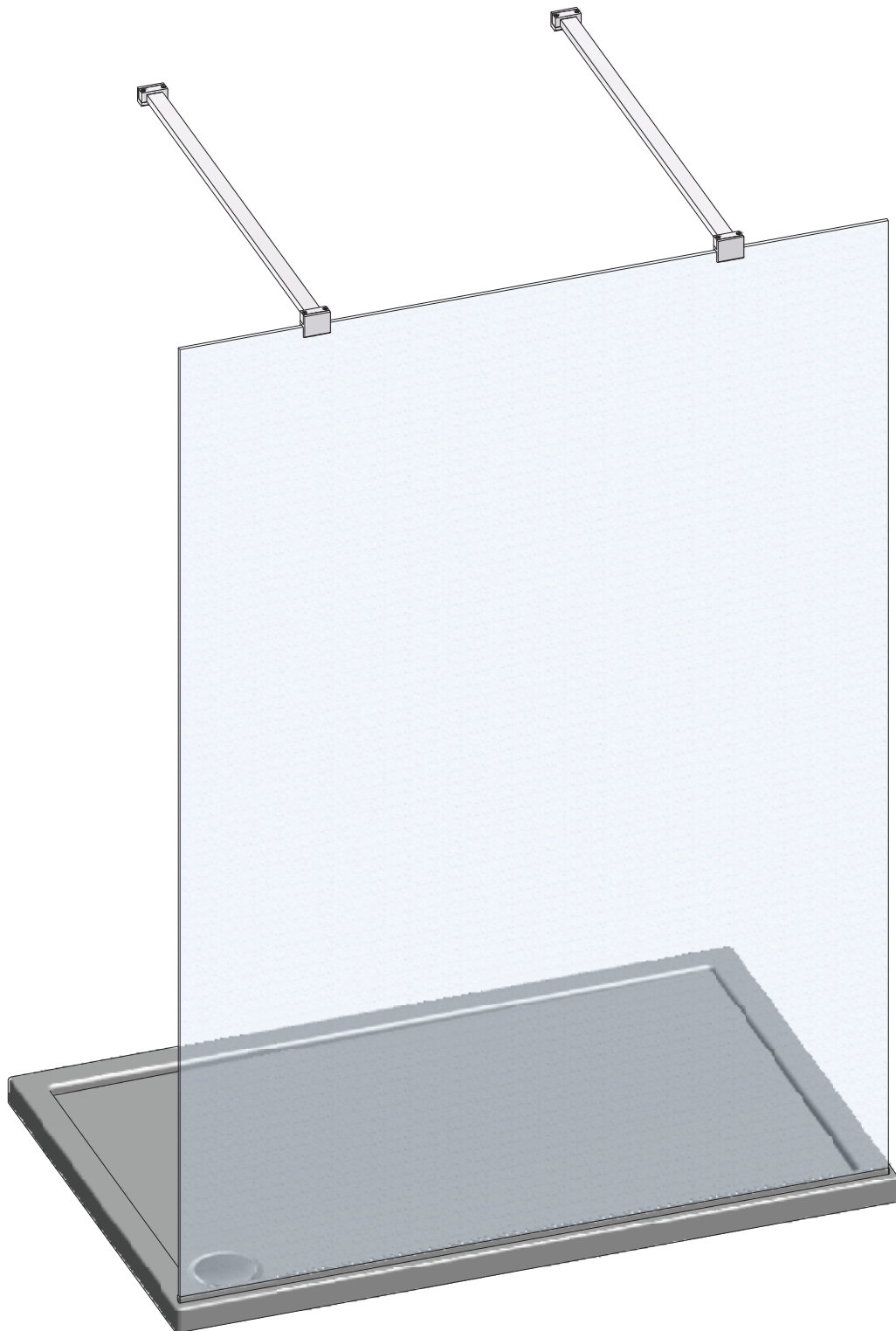
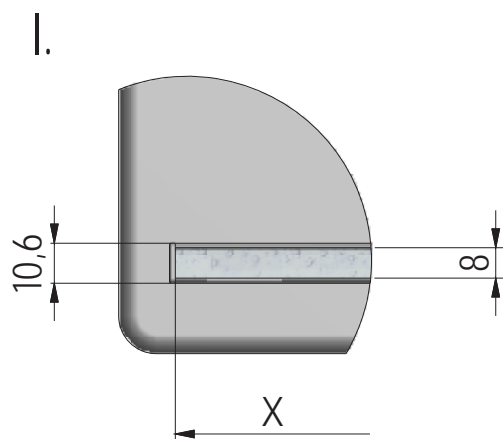
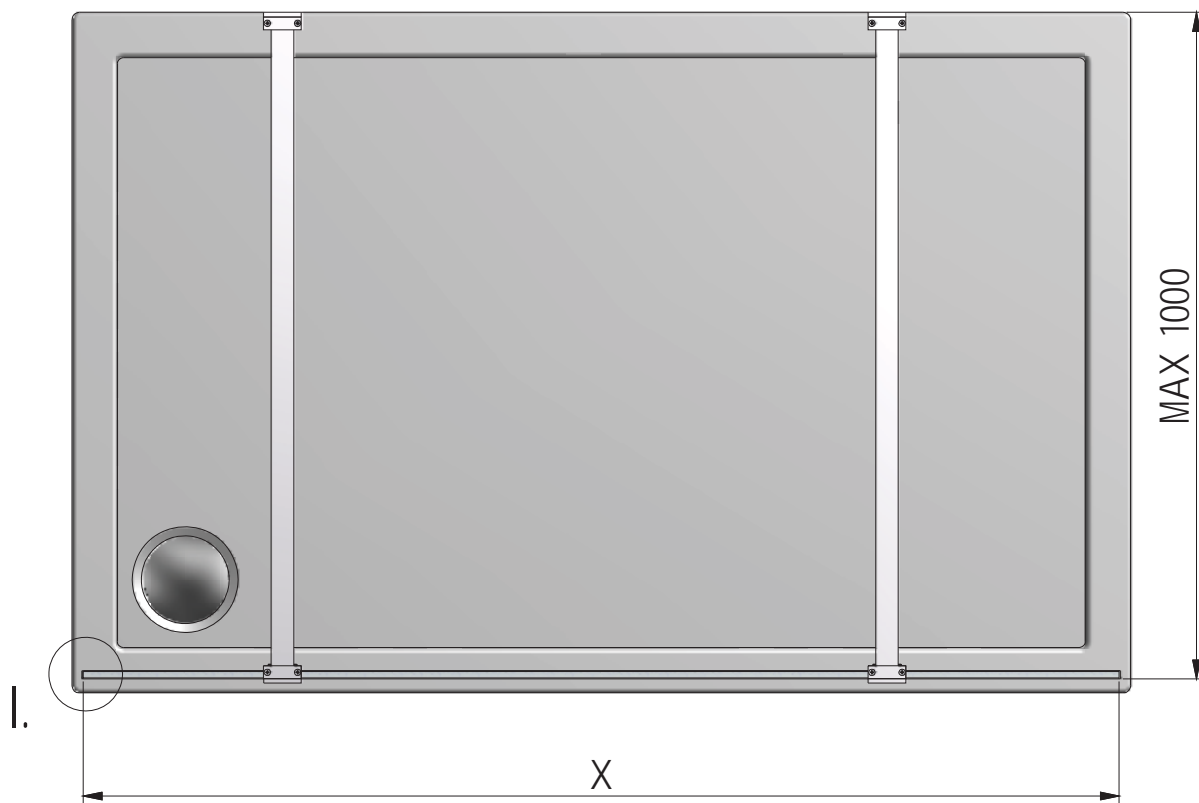
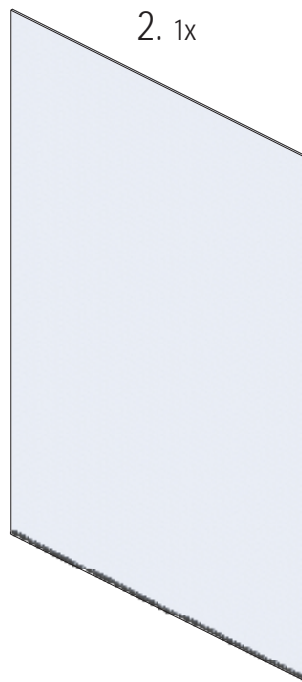


# WALK H

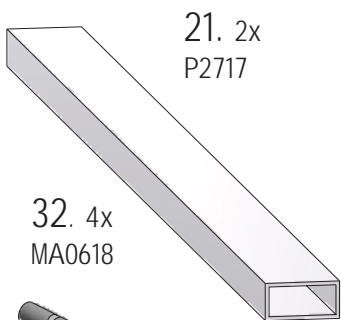




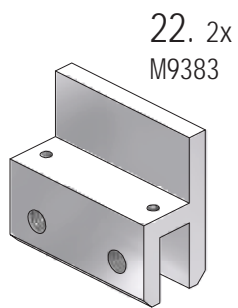
WALK H	
	X (mm)
1000	970
1200	1170
1400	1370
1500	1470



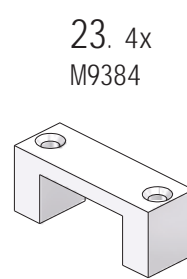
14. 2x  
M9097



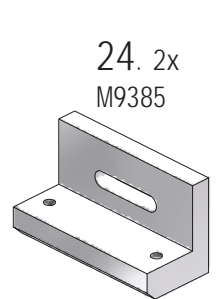
21. 2x  
P2717



22. 2x  
M9383



23. 4x  
M9384

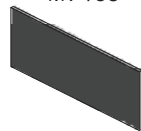


24. 2x  
M9385

32. 4x  
MA0618



25. 2x  
M9468



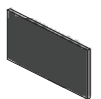
26. 8x  
M9292



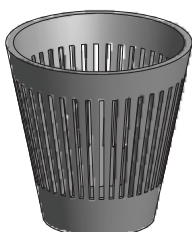
27. 4x  
MA3667



31. 4x  
MA0171



33. 4x  
MA1343

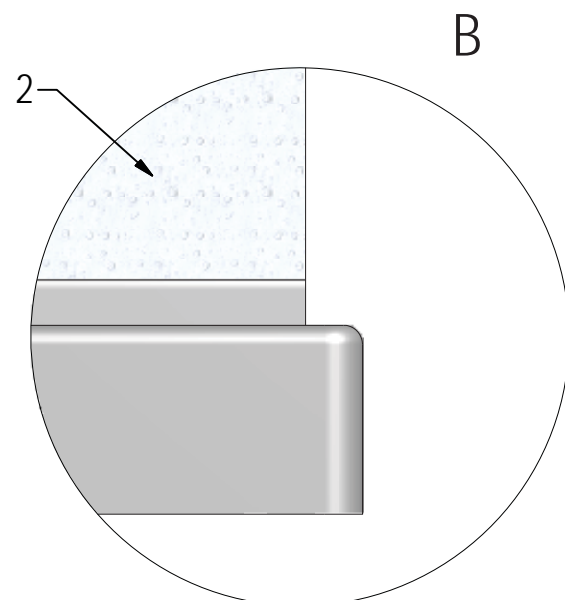
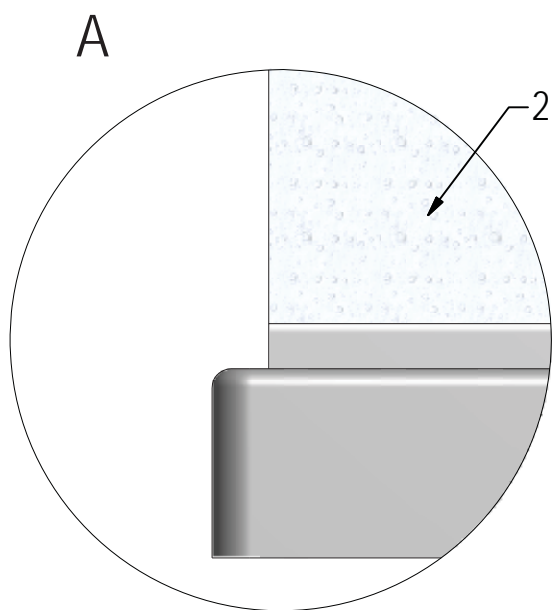
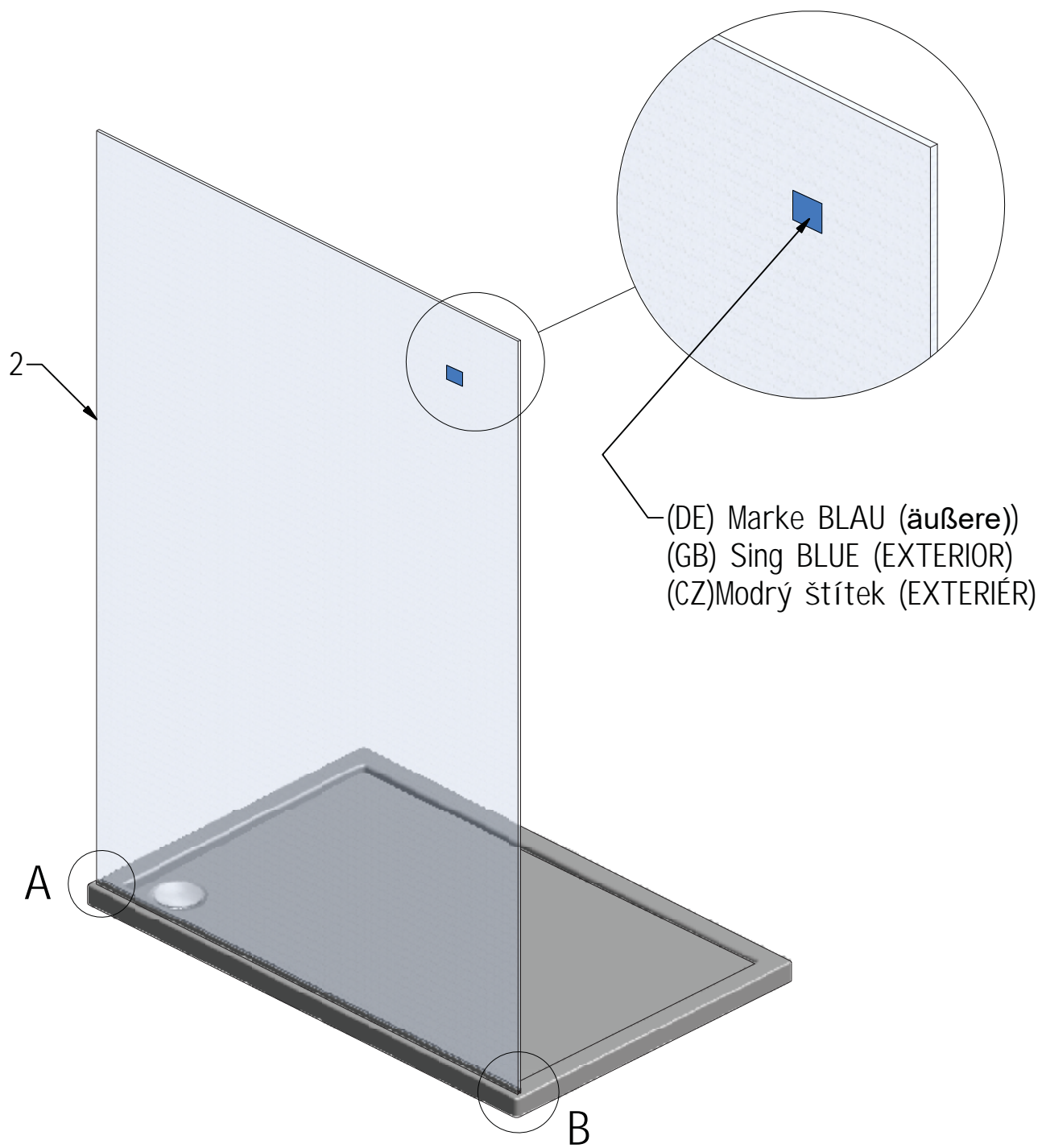


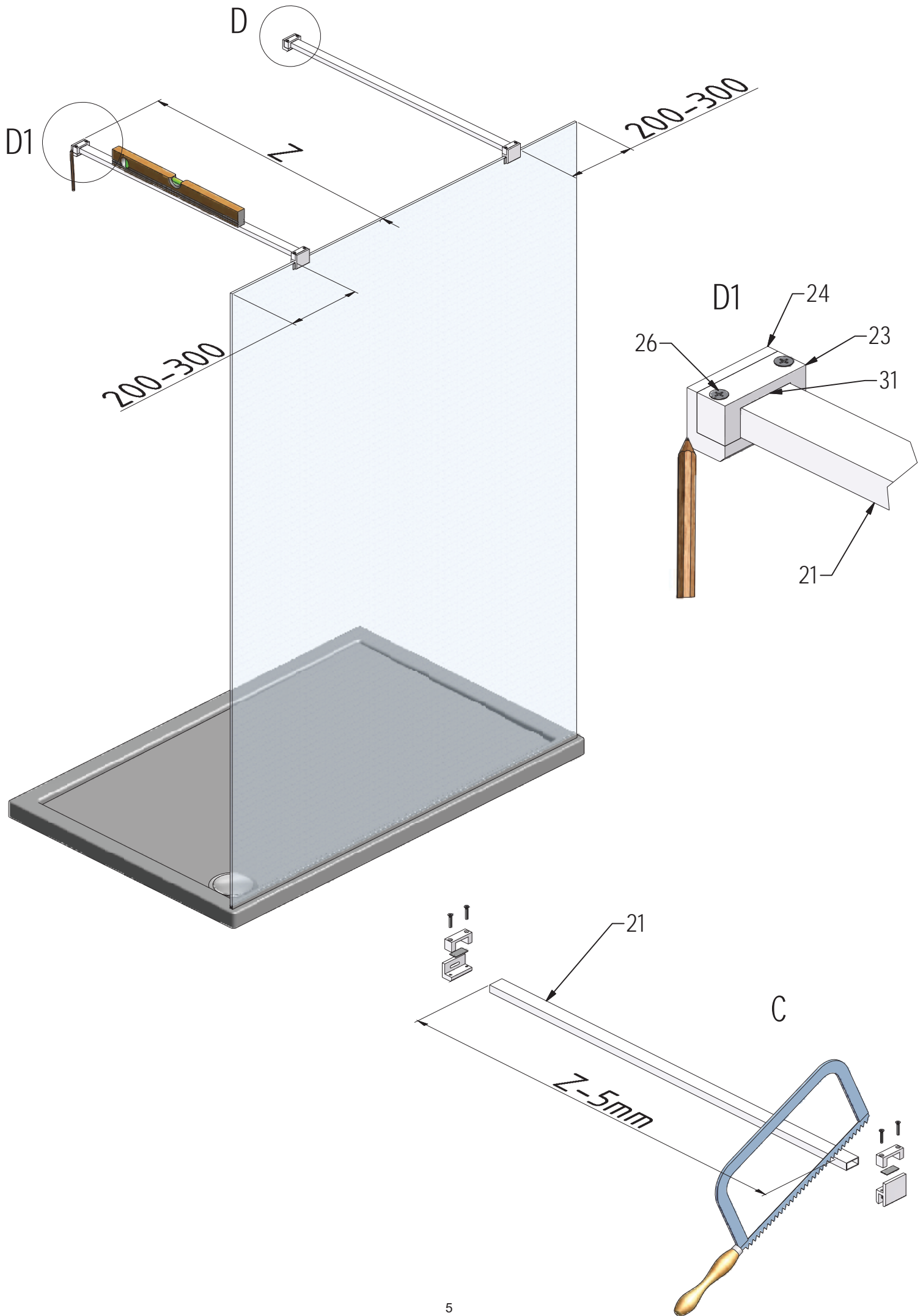
12. 1x  
M9098



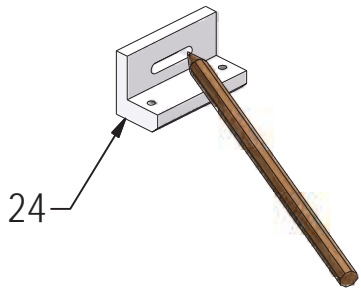
13. 1x  
M9099



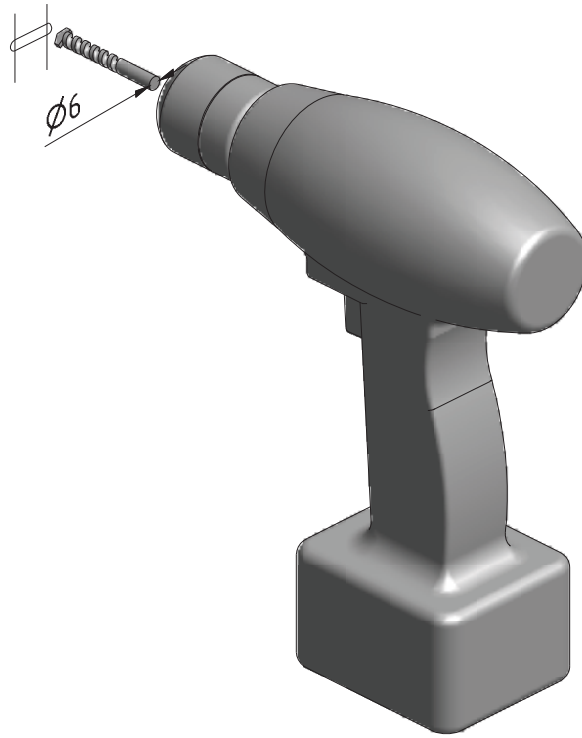




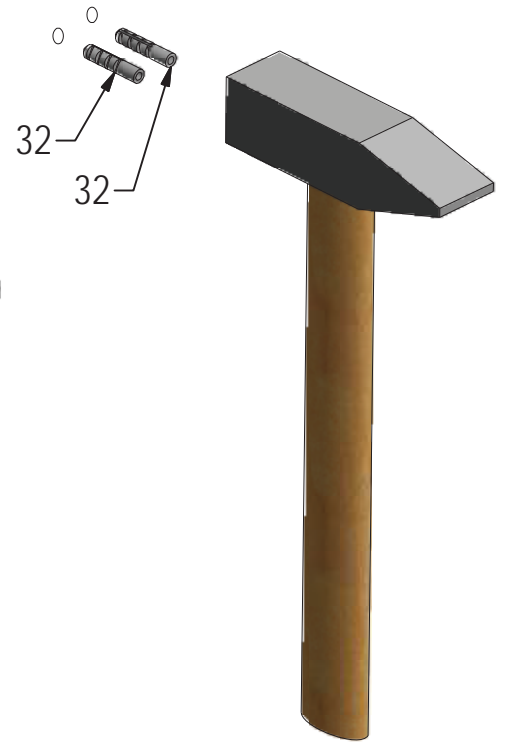
D2



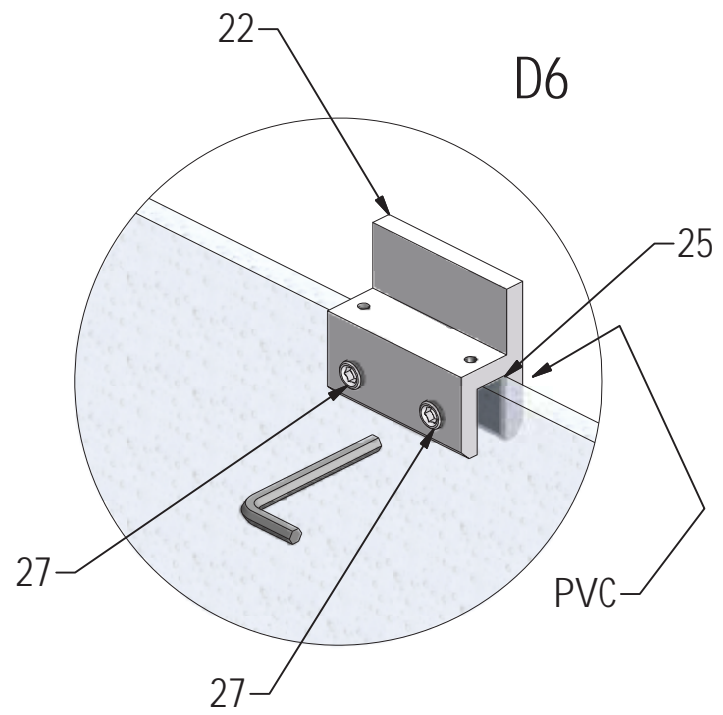
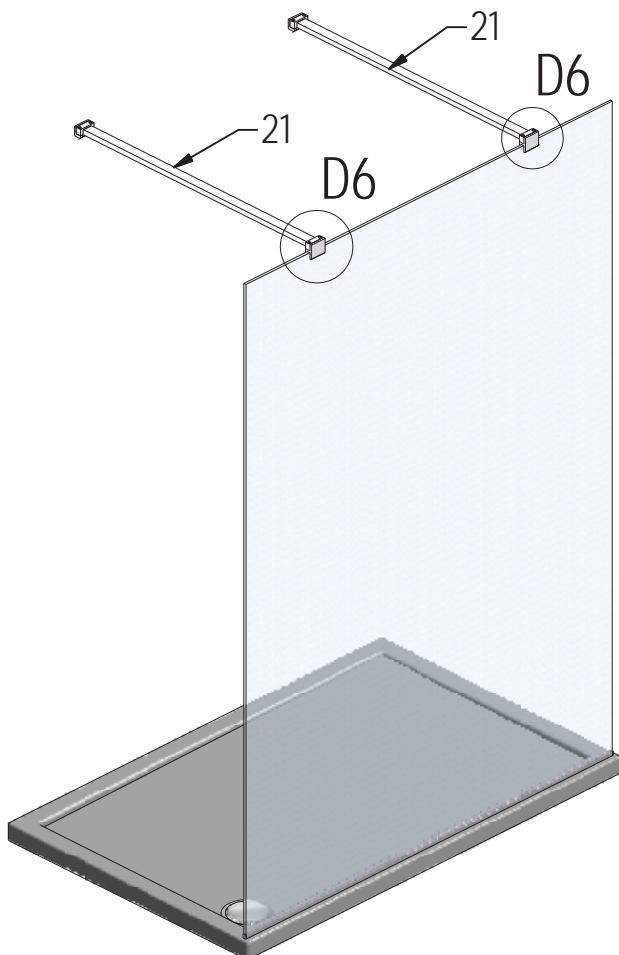
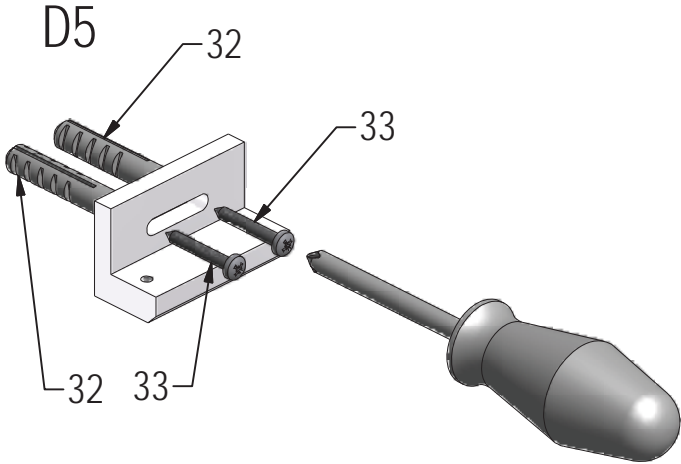
D3

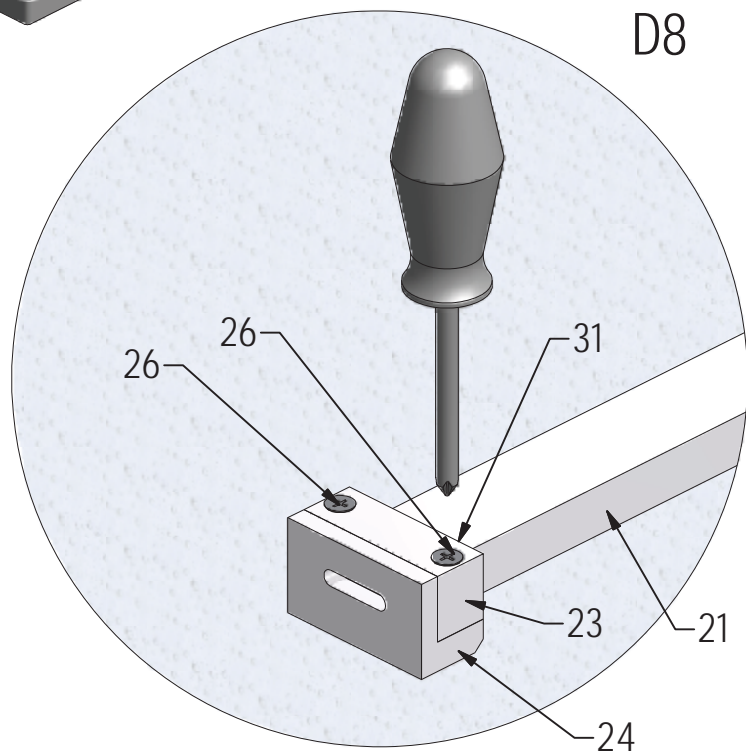
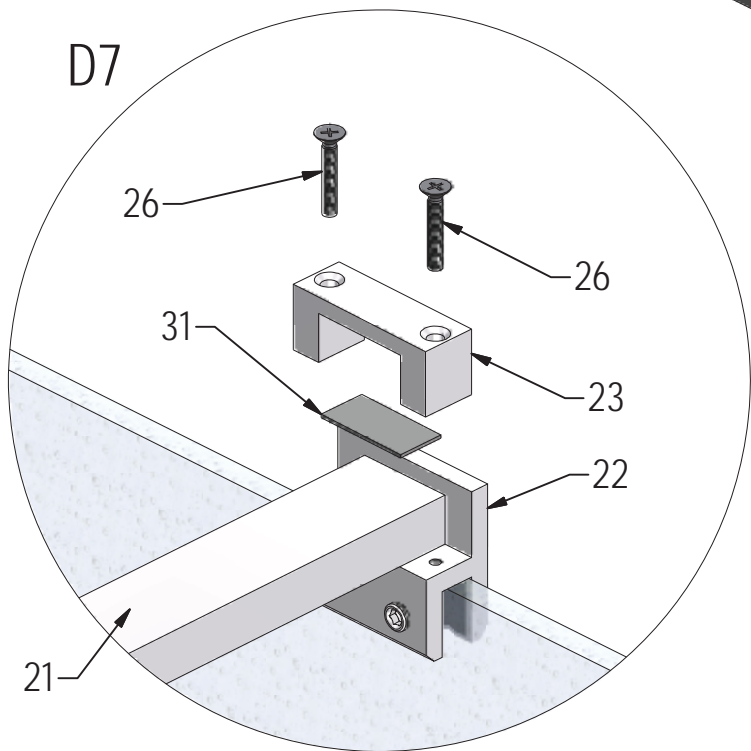
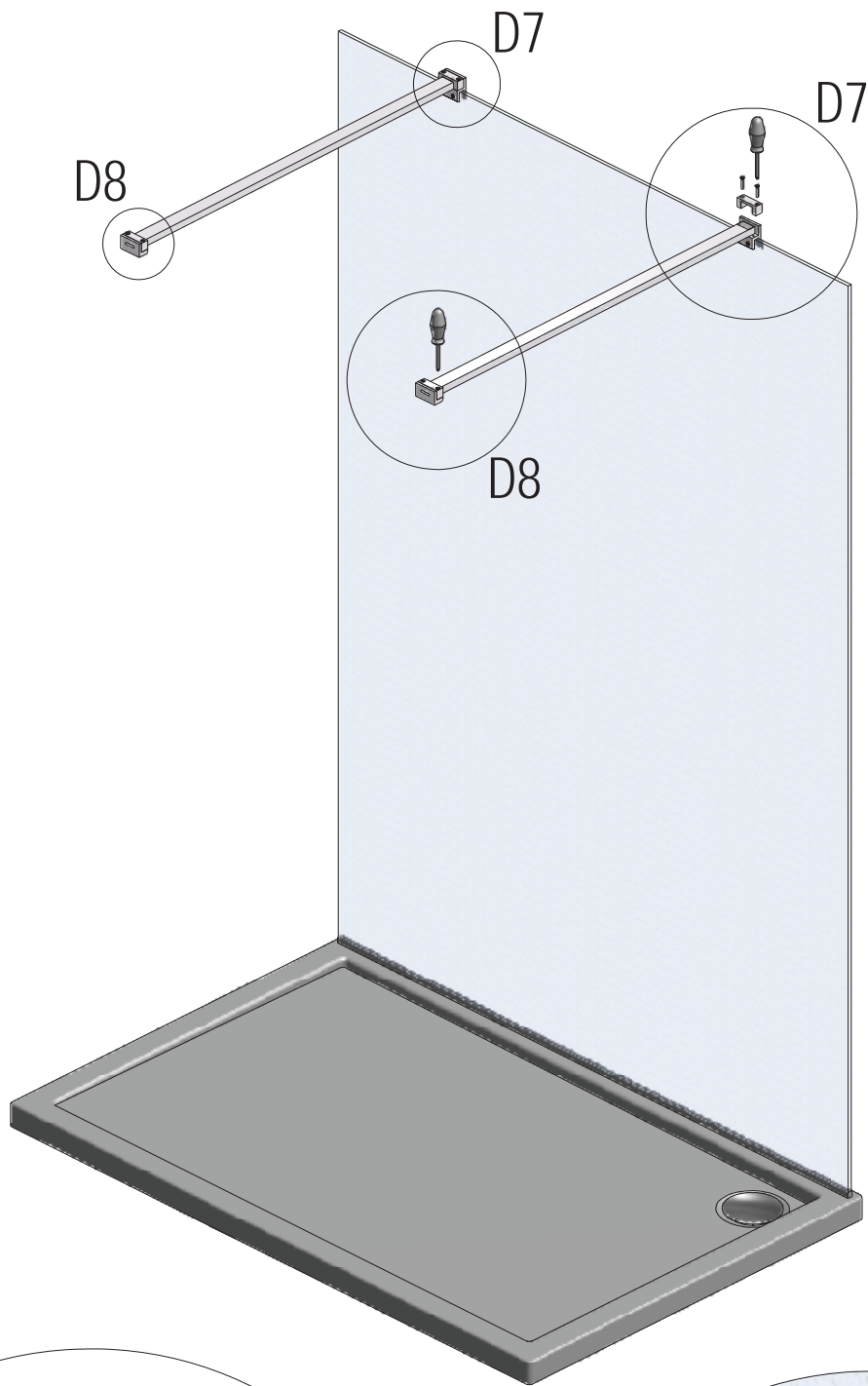


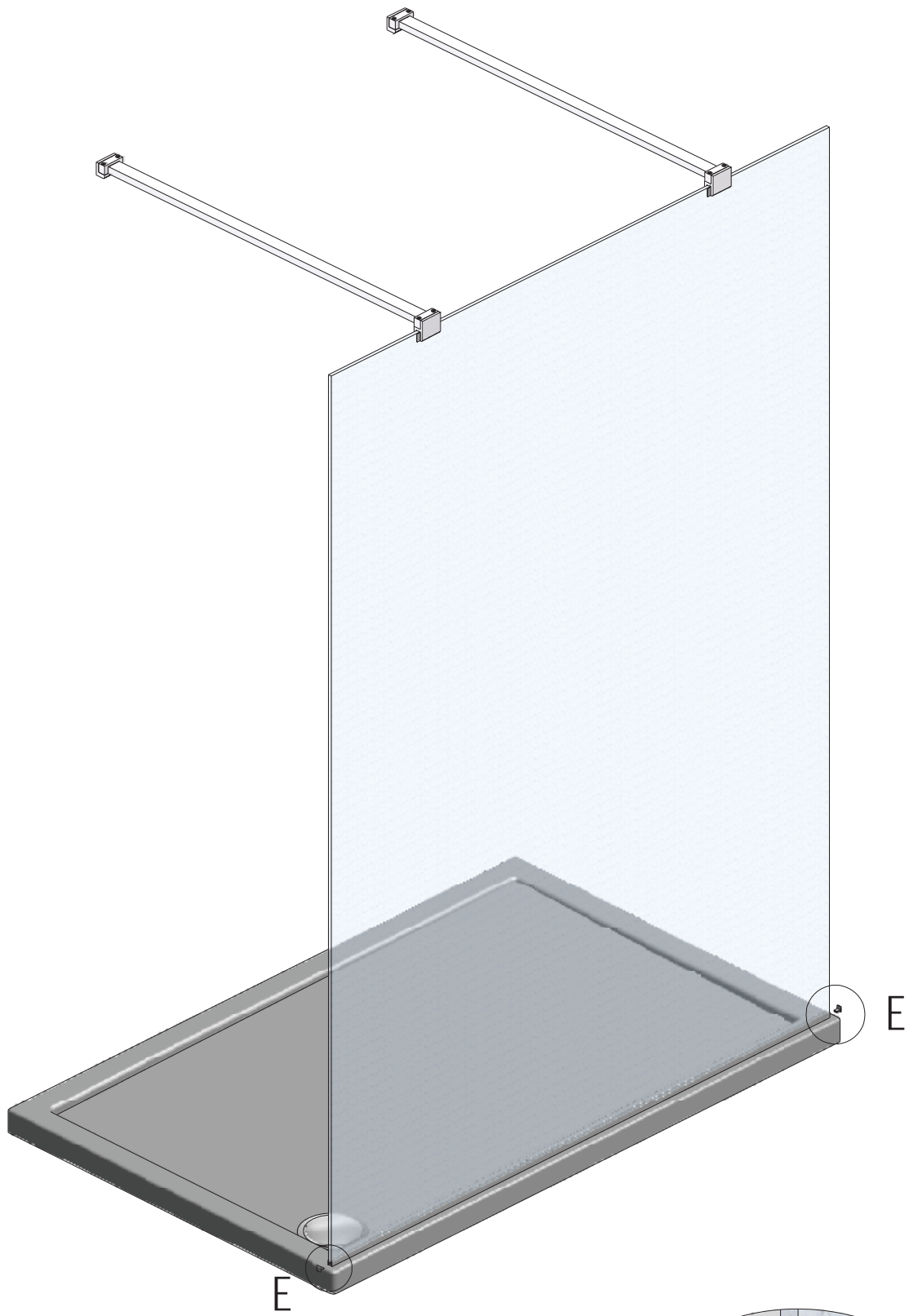
D4



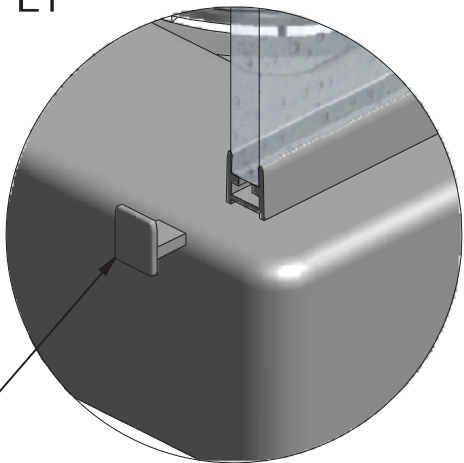
D5





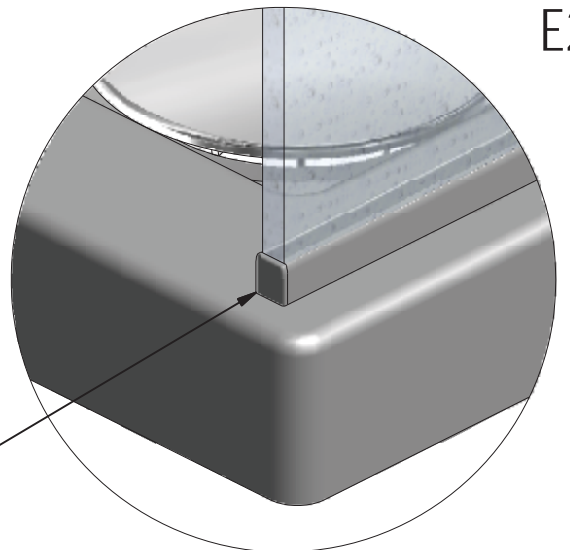


E1



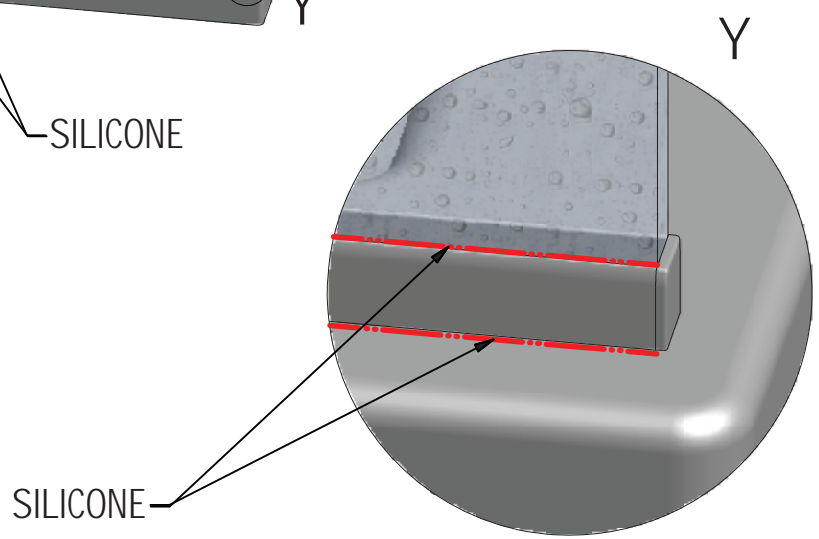
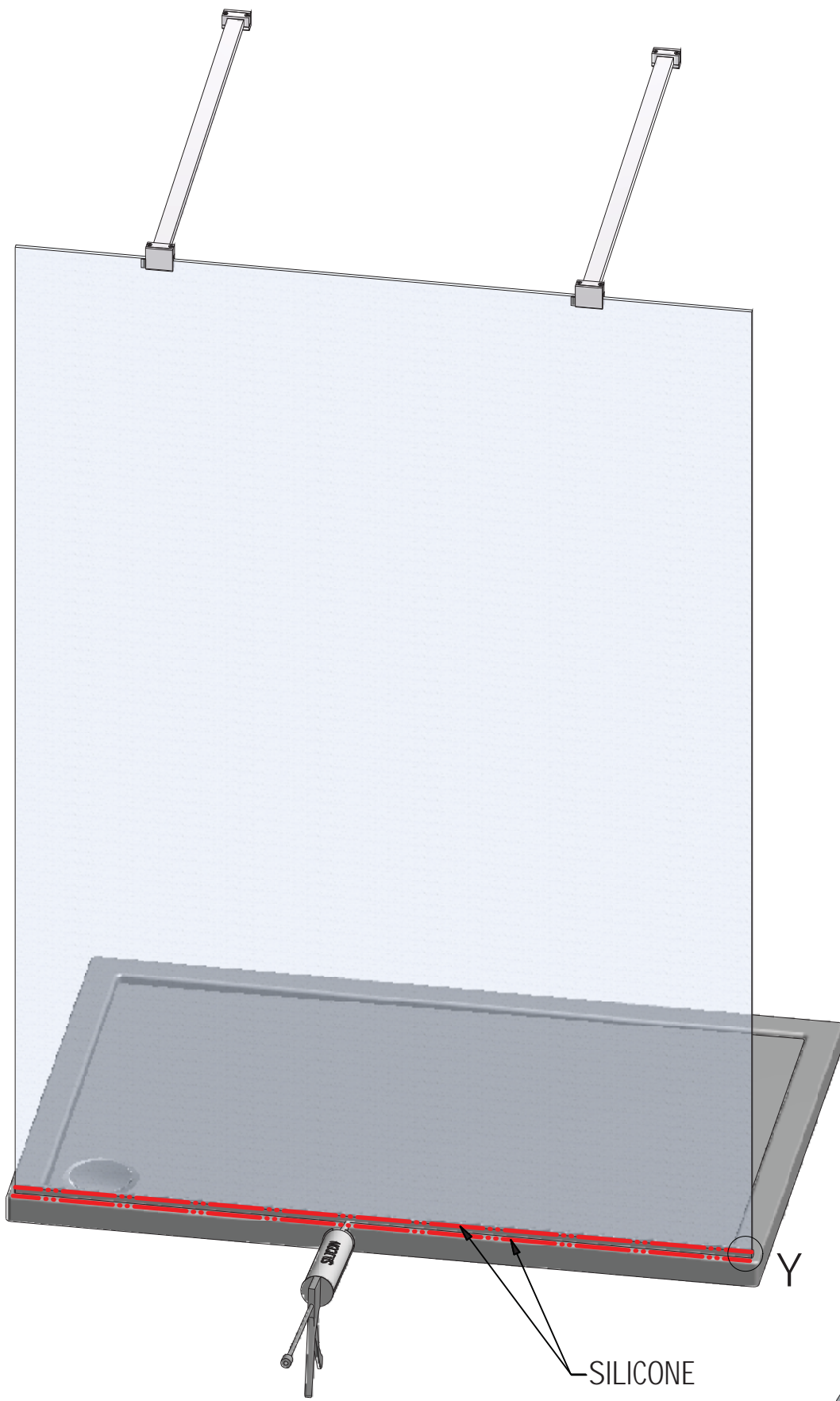
14

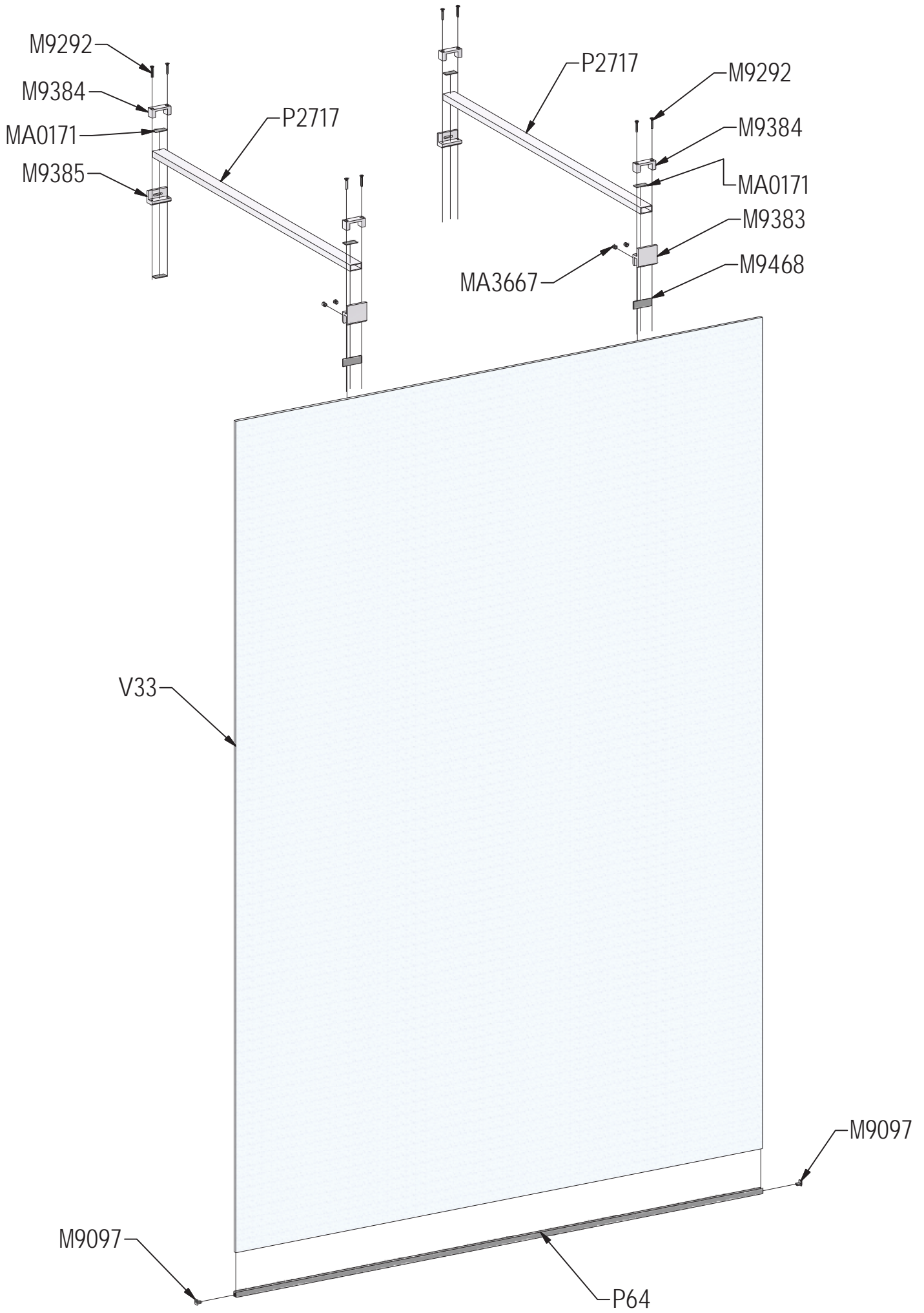
E2



14







P64	1000		P2739
	1200		P2740
	1400		P2741
	1500		P2742

V33	1000	clear glass	ND03-0374-00-02
	1200	clear glass	ND03-0375-00-02
	1400	clear glass	ND03-0376-00-02
	1500	clear glass	ND03-0377-00-02

